

GT04 Series

Mechanical Keyboard Switch-2.5mm Travel



■ Features

- ◆ Ultra-thin profile, 0.31 inch (7.8mm) measuring from PCB (no keycap)
- ◆ Choice of feel: Linear, Soft tactile
- ◆ PCB pin
- ◆ Long life to 20 million operation cycles
- ◆ 12VAC/DC maximum
- ◆ Current rating: 10mA
- ◆ Insulation resistance: < 100MΩ under 100VDC

■ Applications

- ◆ Computer keyboards
- ◆ Cash registers
- ◆ Industrial equipment
- ◆ Man-machine interfaces

■ Specification and Parameters

Electrical Characteristics	Rating	12VDC/AC max. 10mA AC/DC max.
	Contact Resistance	200mΩ Max (25mΩ Typical) (Initial Value)
	Insulation Resistance	100MΩ Min
	Voltage Resistance	AC 100V (50-60Hz) 1 Min
	Electrical Life	Over 20,000,000 cycles (Load)
	Bounce Time	5 msec (Operation Speed at 400mm/sec)
Parameters	Operating Force	See Detail Spec
	Pre-travel	1.5±0.4mm
	Total Travel	2.5±0.4mm
	Mechanical Life	Over 20,000,000 cycles (No Load)
	Operating Temperature Range	-40°C~+80°C
	Ambient Humidity	≤85% RH

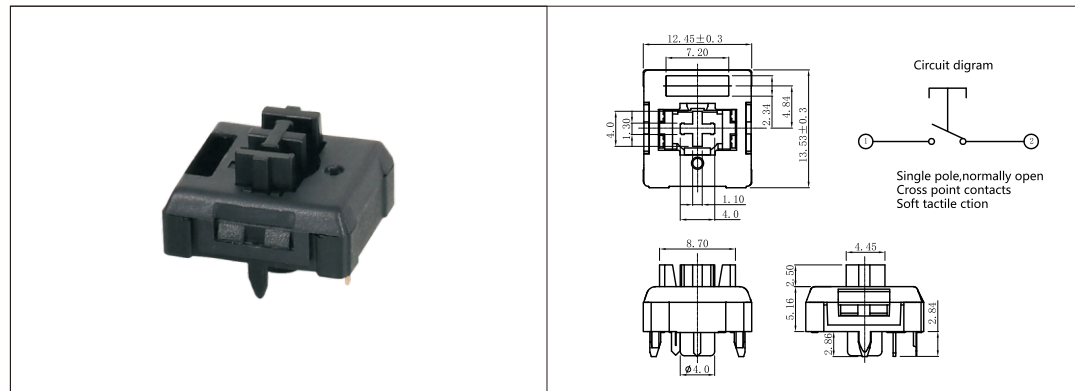
GT04 Series Keyswitch Ordering Instruction

GT04	Switch Type	GT04 Series Keyswitch	
A	Contact Material	A Au Alloy	B Ag Alloy
1	Code Of Operating Force	1 OF=50±20gf	Special
B	Operating Characteristics and Key Style	A Momentary, Single Pole, Standard Keyswitch, Black Key	B Momentary, Single Pole, Tactile Feel Keyswitch Red Key
N	LED Diode	N No LED No Diode	D No LED With Diode
		F RGB full color LED	Special
W	Mounting Options	W With Pins	Special
T001	Custom Code	General	Customized according to requirements, the code format is T+serial number XXX, for example: T001
U	LOGO	U Unionwell	Other

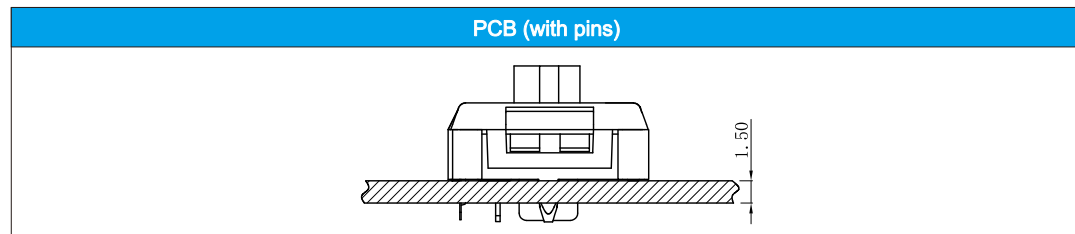
Unionwell

■ Dimensions

(Unit:mm)



■ Mounting Options



■ Circuit Board Layouts

◆ PCB (with pins)

