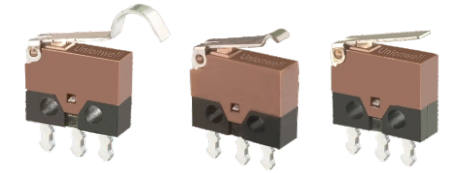


## G15D (Metal Lever) Series

Subminiature Micro Switch



### ■ Features

- ◆ Compact size and structure, available in places requiring high space utilization
- ◆ High precision shrapnel structure
- ◆ Instantaneous contact construction

### ■ Application

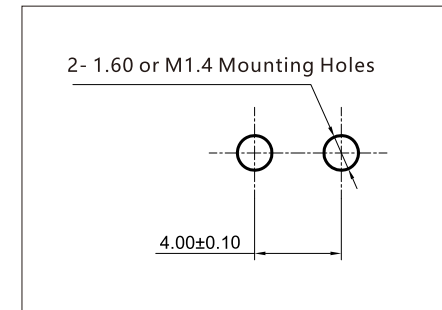
- ◆ Car
- ◆ Air-Conditioner
- ◆ Communication

### ■ Parameters

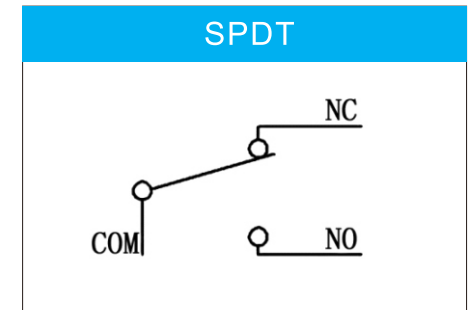
Rating		1A/15VDC
Operating Frequency	Electrical	20 cycles/min
	Mechanical	60 cycles/min
Contact Resistance (Initial Value)		100mΩ Max.
Insulation Resistance (at 500VDC)		100MΩ Min.
Dielectric Strength		500VAC 50~60Hz for 1 Min
Operating Temperature		-40°C~+85°C
Operating Humidity		85% RH Max.
Service Life	Electrical	10,000 cycles
	Mechanical	300,000 cycles

G15D	01	15	P	00	W	Au	T001	U
Switch Type	Electrical Rating	Operating Force	Terminal Style	Lever Type	Base Color	Contact Material	Custom Code	LOGO
G15D Series Subminiature Micro Switch	1A 15VDC	60gf Max. (Without lever) 15gf Max. (With lever)	Standard PCB Terminals P Long PCB Terminals P Left Side PCB Terminals P Right Side PCB Terminals P	No Lever Pin Plunger 00 03# Lever 00 04# Lever 00 06# Lever 00	White Color W	Gold Plated Au	General Customized according to requirements. The code format is T+ serial number XXX for example:T001	Unionwell U Other ...

### ■ Mounting Hole Dimensions



### ■ Circuitry Configuration

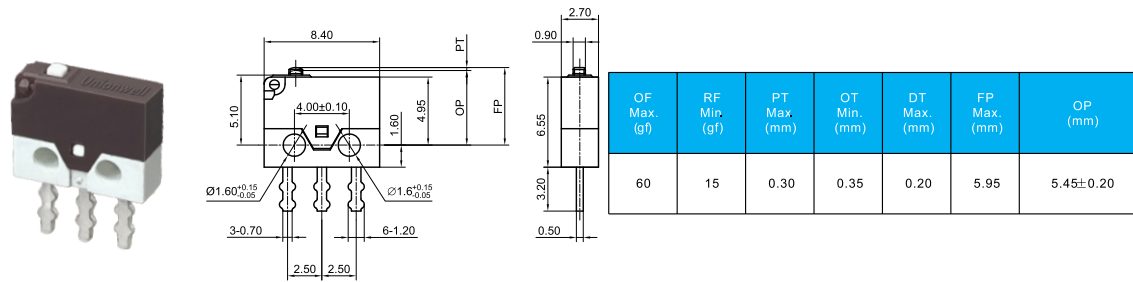


### ■ Terminal Style

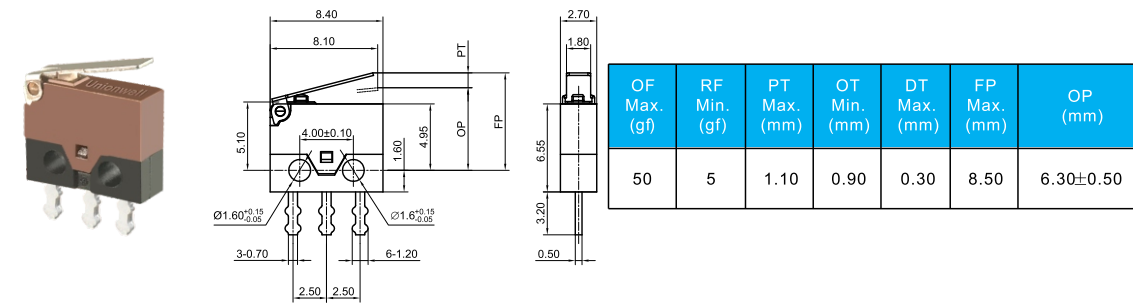
P: Standard PCB Terminals	D: Long PCB Terminals
L: Left Side PCB Terminals	R: Right Side PCB Terminals

## ■ Dimensions and Operating Characteristics

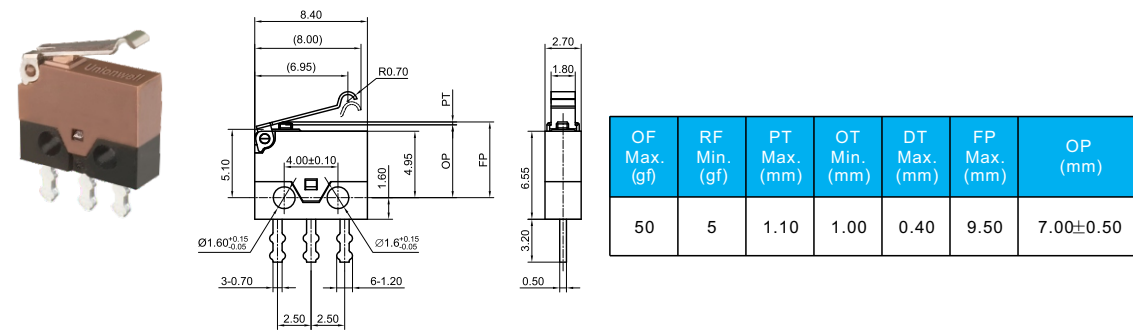
### ◆ G15D01-60P00WAuU



### ◆ G15D01-15P03WAuU



### ◆ G15D01-15P04WAuU



### ◆ G15D01-15P06WAuU

