

G25 Series Push-Button Switch



Production Features

- ◆ High contact reliability push-button switches for micro loads
- ◆ High stability in high temperature environment
- ◆ Have two function modes of self-locking and non-locking
- ◆ Feel smooth and good operating experience
- ◆ There are two welding process options of DIP and SMT

Application

- Home Appliance
- Electronic Equipments
- Automatic Equipments
- Communication Equipments
- Auto Electronics
- Apparatus and Instruments

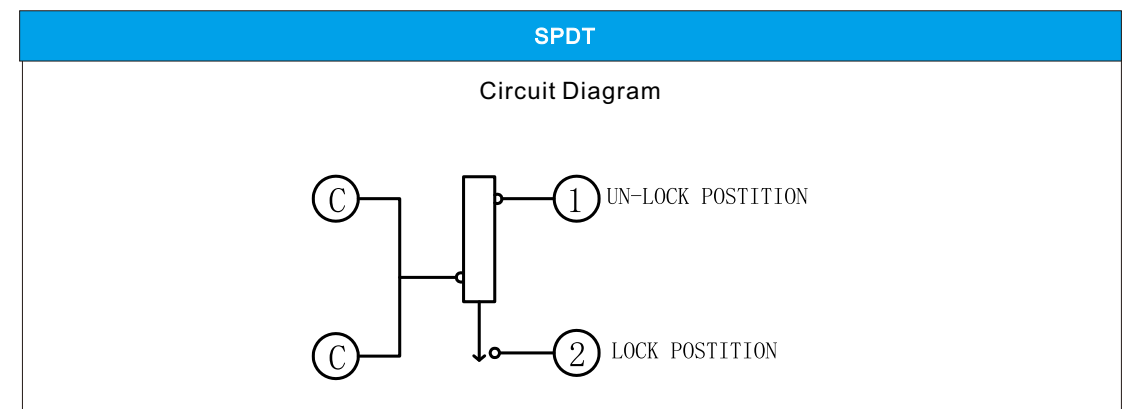
Parameters

| | | |
|---------------------------------|---|---|
| Operating Frequency | | 15~20 cycles/min |
| Insulation Resistance | | ≥3MΩ (at 100VDC) |
| Contact Resistance (Initiative) | with terminals type | ≤100mΩ |
| | | |
| Dielectric Strength | Between terminals | AC100V, 50/60Hz, 1min. |
| | Between terminals and uncharged metal parts | AC100V, 50/60Hz, 1min. |
| Service Life | Electrical | 300,000 cycles (15~20 cycles/min) 50mA 18VDC 50μA 5VDC |
| | Mechanical | 300,000 cycles (30 cycles/min) |
| Operating Temperature | | -40~+80°C 60% RH (No ice, no frost) |
| Operating Humidity | | 95% RH (+5~+35°C) |

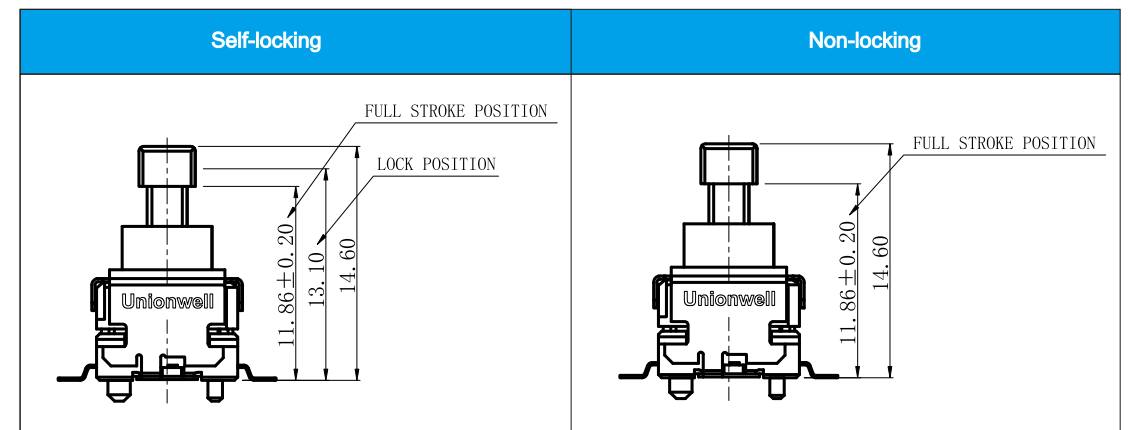
G25 Series Micro Switch Ordering Instruction

| | | | | | |
|-------------|---------------|-----------------|----------------|----------------|-------------|
| G25 | 1 | 1 | 1 | 1 | U |
| Switch Type | Overtravel | Operating Force | Terminal Shape | Function | LOGO |
| Switch Type | 1 1.5mm | 1 300gf | 1 SMD terminal | 1 Self-locking | U Unionwell |
| | 2 Non-locking | 2 500gf | 2 DIP | 2 Non-locking | ... Other |
| | | 3 360gf | | | |

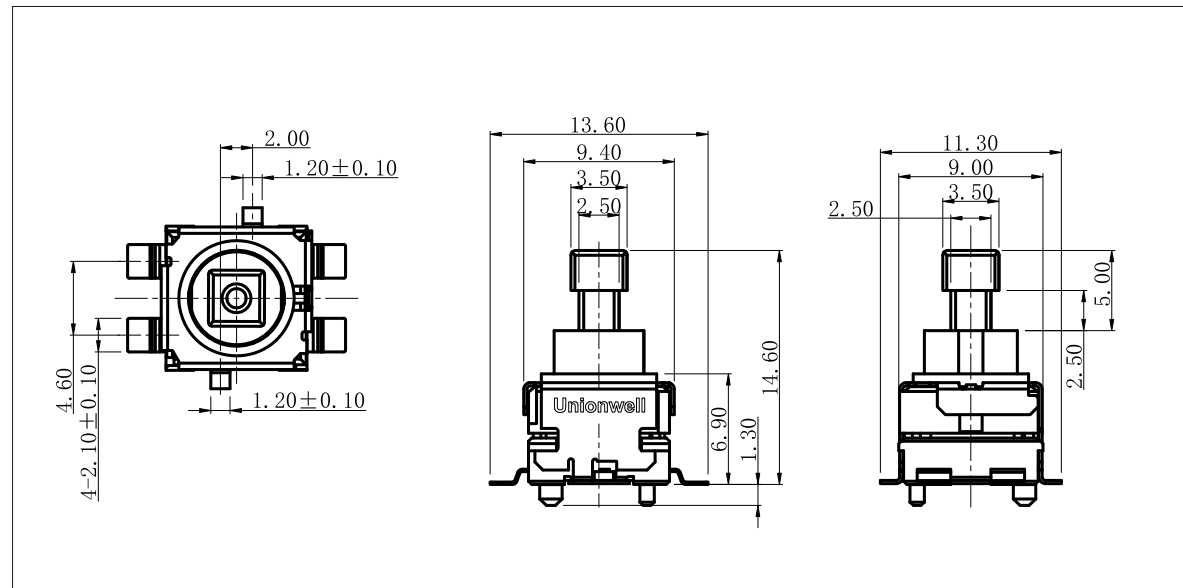
Circuit



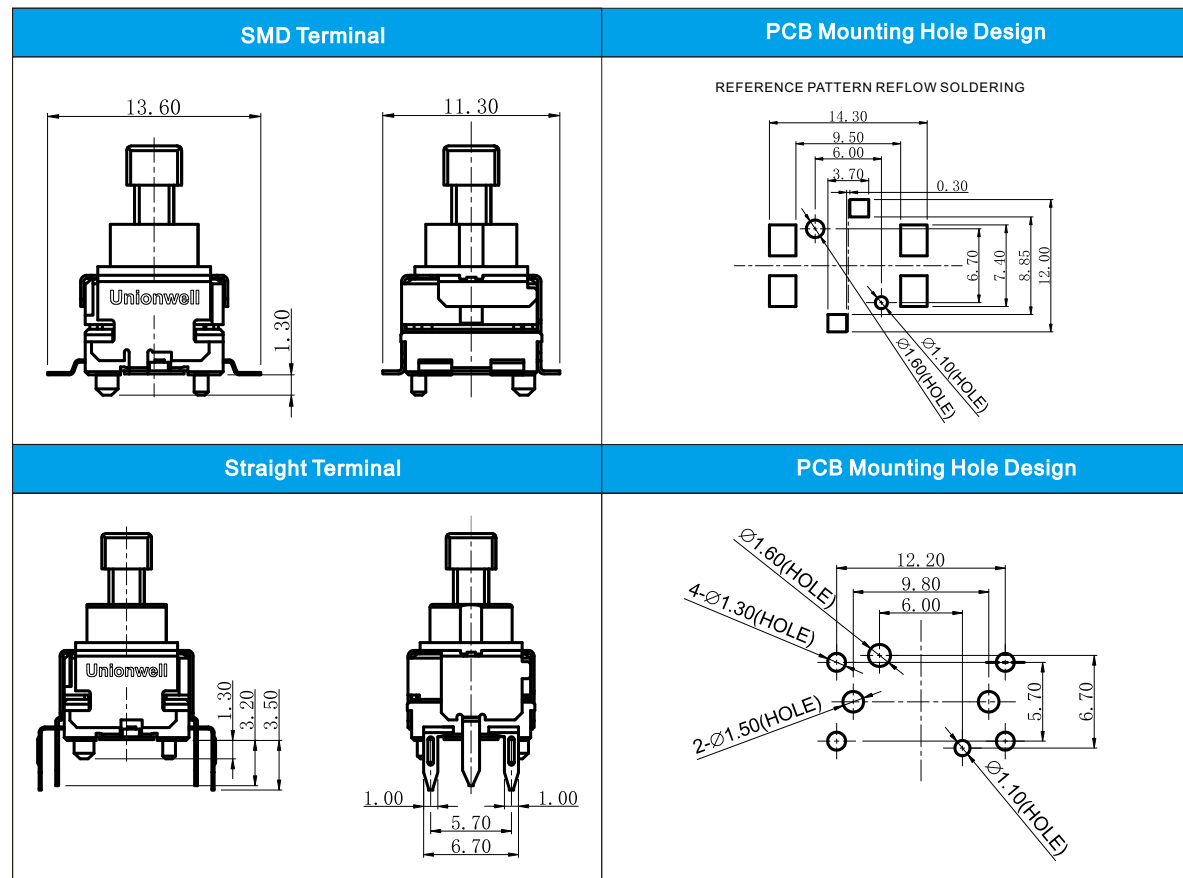
Function type



■ Shape and Dimensions

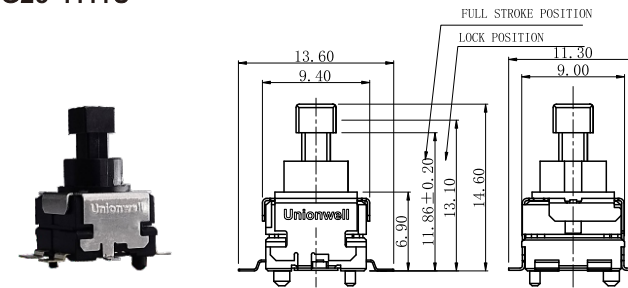


■ Switch Terminal Type (can be customized)



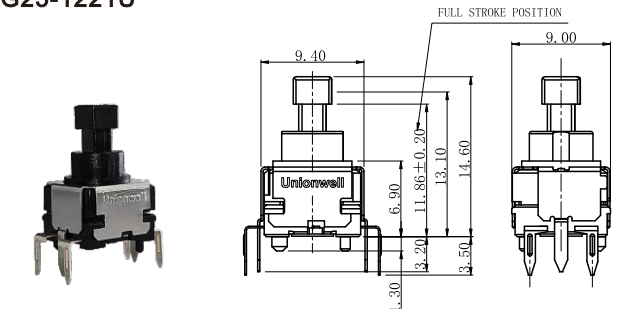
■ Dimensions and Operating Characteristics

◆ G25-1111U



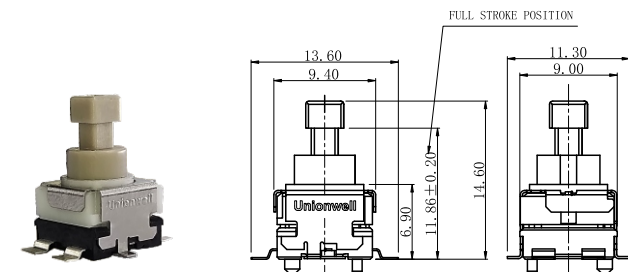
| OF Max. (gf) | TTP Max. (mm) | FP Max. (mm) | LOCK POSITION (mm) |
|--------------|---------------|--------------|--------------------|
| 300±70 | 11.86 | 14.60 | 13.10±0.3 |

◆ G25-1221U



| OF Max. (gf) | TTP Max. (mm) | FP Max. (mm) | LOCK POSITION (mm) |
|--------------|---------------|--------------|--------------------|
| 360±70 | 11.86 | 14.60 | 13.10±0.3 |

◆ G25-2312U



| OF Max. (gf) | TTP Max. (mm) | FP Max. (mm) | LOCK POSITION (mm) |
|--------------|---------------|--------------|--------------------|
| 300±70 | 11.86 | 14.60 | 13.10±0.3 |