



G22 Series

Micro Switch

■ Features

- Tight configuration, sliding contact, long travel
- Long life, high reliability
- Widely used in home appliances, electronic equipments, automatic machines, communication equipments, auto door switch

■ Application

- Home appliances
- Electronic devices
- Automatic equipment
- Office equipment
- Auto electronics

■ Parameters

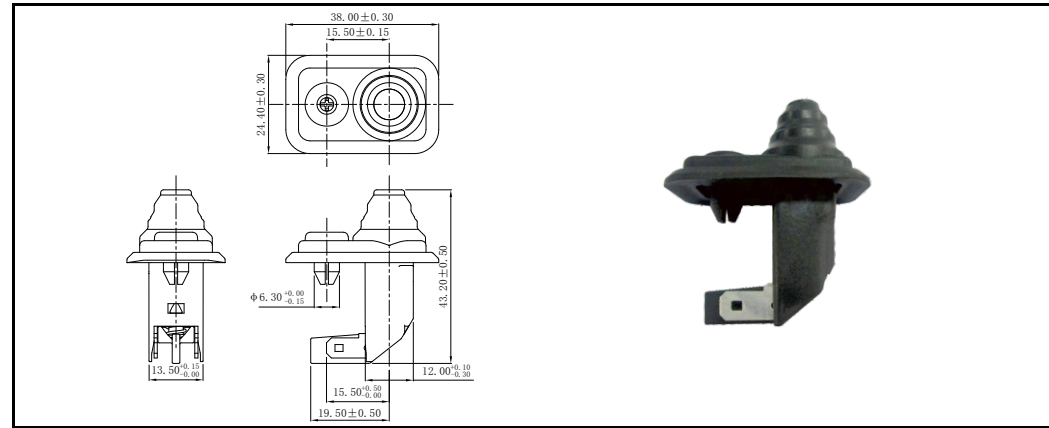
Operating Frequency		Mechanical: 30 cycles/min; Electrical: 10 cycles/min.
Insulation Resistance (at 500VDC)		≥10MΩ
Contact Resistance (Initial Value)		≤100mΩ
Voltage Resistance	Between each terminals of the same polarity	AC1,000V, 50/60Hz, 1min.
	Between current-carrying metal part and ground and between each terminals and non-current-carrying metal parts	AC1,500V, 50/60Hz, 1min.
Vibration Durability		10-55Hz, Double amplitude 1.5mm
Operating Temperature		-40~85°C
Operating Humidity		85% RH Max.
Service Life	Electrical	50,000 cycles
	Mechanical	100,000 cycles

G22 Series Auto Door Switch Ordering Instruction

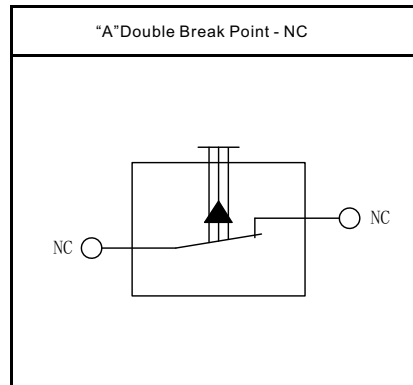
G22	Switch Type	Switch Type					
04	Electrical Rating	Rating : 4A 14VDC Temperature grade: 40T85	04	...	Other		
10	Max Operating Force at Pin Plunger	10N Max	10	15N Max	20N Max	...	Other
A	Terminal Type	A 250#quick connect Terminals	A	...	Special Terminals		
A	Circuitry	A DPDT-NC	A				
T001	Custom Code	General	T0	01	...	Other	
U	LOGO	Unionwell	U	...	Other		

Customized according to requirements, the code format is T+ serial number XXX for example:T001

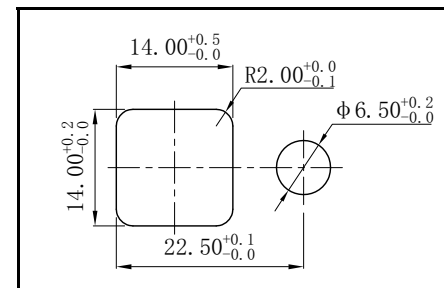
Shape Characteristics



Circuitry

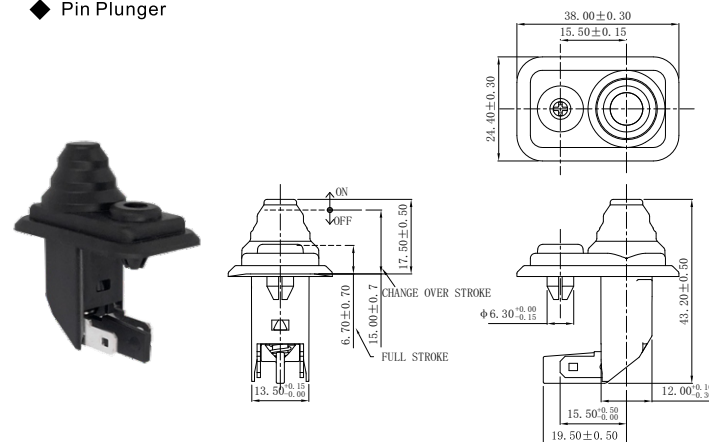


Mounting Hole Location



Dimensions and Operating Characteristics

Pin Plunger



Parameters

Type	FP (mm)	OP (mm)	OF Max.(N)	PT (mm)	TTP (mm)
G2204-10AA	17.5±0.5	15±0.7	10	2.5±1.2	8.7±0.7
G2204-15AA	17.5±0.5	15±0.7	15	2.5±1.2	8.7±0.7
G2204-20AA	17.5±0.5	15±0.7	20	2.5±1.2	8.7±0.7