

G304A Series

High Reliability Sealed Slide Type Micro Switch



■ Features

- Small electrical rating and high contact reliability switch
- Sliding contact mute structure
- Widely applied in different environments, IP67 rated
- Widely used in home appliances, electronic equipment, automatic machines, communication equipment, auto electronics, apparatus and instruments, power tools etc

■ Application

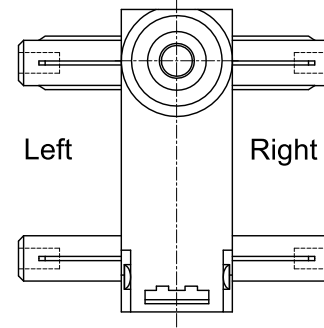
- Home appliances
- Electronic equipment
- Automatic equipment
- Communication equipment
- Auto electronics
- Apparatus and instruments

■ Parameters

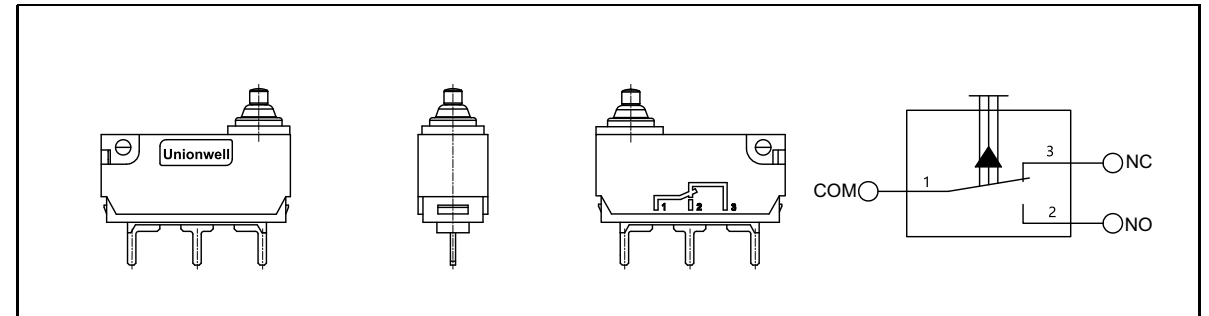
| | | |
|------------------------------------|---|---|
| Operation Speed | 1~500mm/s | |
| Operation Frequency | 120 cycles/min. | |
| Insulation Resistance | ≥100MΩ | |
| Contact Resistance (Initial Value) | With terminals type | ≤100mΩ |
| | With wire type | ≤500mΩ (Standard wire length 300mm) |
| Voltage Resistance | Between terminals | AC500V, 50/60Hz, 1min. |
| | Between terminals and uncharged metal parts | AC1,000V, 50/60Hz, 1min. |
| Vibration Resistance | No transformation action | 10-55Hz (Double amplitude 1.5mm) |
| Operating Life | Electrical | 300,000 cycles (15 cycles/min.) DC12V 0.1A 50μA 5VDC |
| | Mechanical | 300,000 cycles (30 cycles/min.) |
| Protection Level | IEC IP67 (Except terminals) | |
| Operating Temperature | -40~+85°C | |
| Operating Humidity | 85%RH Max. | |

| | | |
|------|---------------------------------|---|
| G3 | Switch Type | G304A Series Wires Switch |
| 04A | Electrical Rating | 0.1A 12VDC 50µA 3VDC ... Other |
| 150 | Operating Force at Pin Plunger | 150 (50gf) Max. ... Other |
| E | Terminal Type | T-Shape PCB Terminals Standard PCB Terminals Solder Terminals Left Side PCB Terminals Right Side PCB Terminals ... Other |
| 27 | Lever Type | 00 Pin Plunger No Lever 27# Straight Leaf Lever ... Other |
| D | Circuit Code | D Slide Non-short Type, 1, 3, CSPDT to 1, 2 SPDT E Slide Type, SPST-NO 1, 2 F Slide Type, SPST-NC 1, 3 ... Other |
| 49 | Shape and Posts | 49 No Posts 50 Left Posts 51 Right Posts 52 Two-sided Posts ... Other |
| A | Posts Dimension | A Standard Posts: 2.60mmx1.5mm B φ2.6x1.5mm Posts. C φ2.6x2.5mm Posts. N No Post |
| E | AWG Type (For wire type only) | No Molded Lead Wires F 22# G 24# ... Other |
| A | AWG Number (For wire type only) | No Molded Lead Wires A UL 1007 F AVSS ... Other |
| B | Type of Wires Outline | E Wires Lead to Bottom G Molded Lead Wires on Left Side F Molded Lead Wires on Right Side ... Other |
| 280 | Wires Length | 300mm Length Standard Lead Wires 280mm Length ... Other |
| T001 | Custom Code | General Customized according to requirements, the code T-... number XXX (for example: T001) ... Other |
| U | LOGO | Unionwell Other |

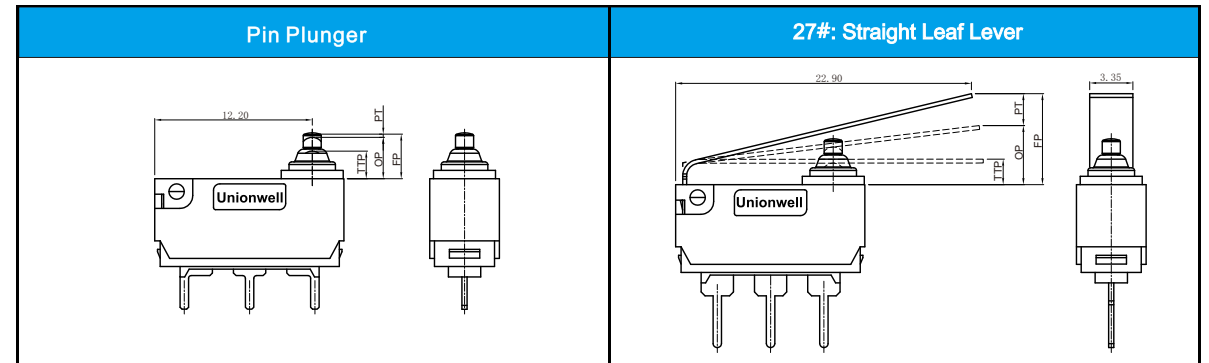
Posts Direction



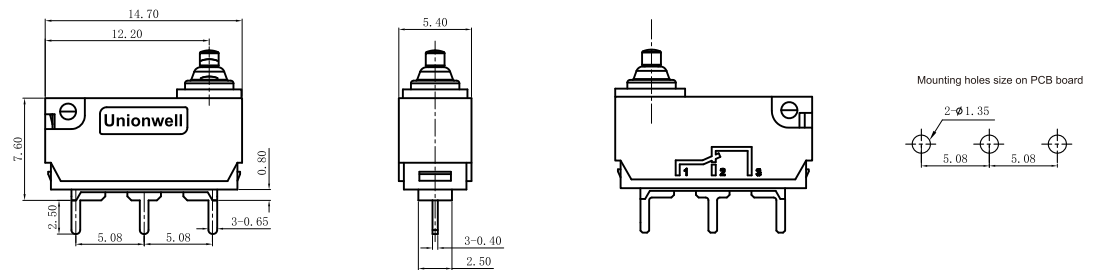
Circuit Configuration



Operating Type

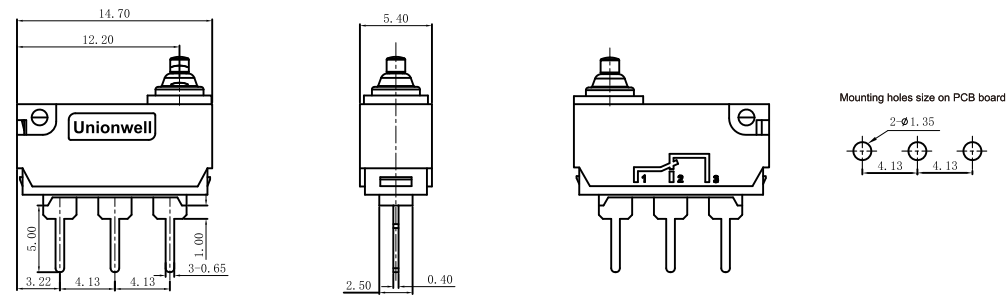


Standard PCB Terminals

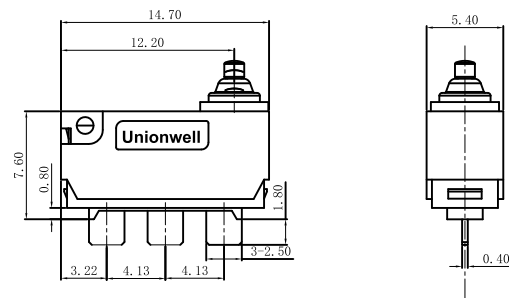


Unionwell

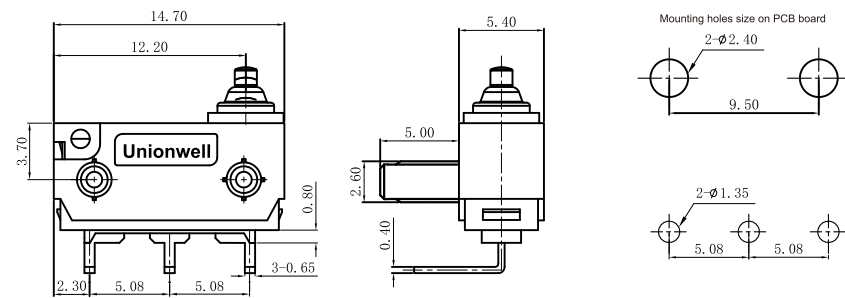
◆ T Shape PCB Terminals



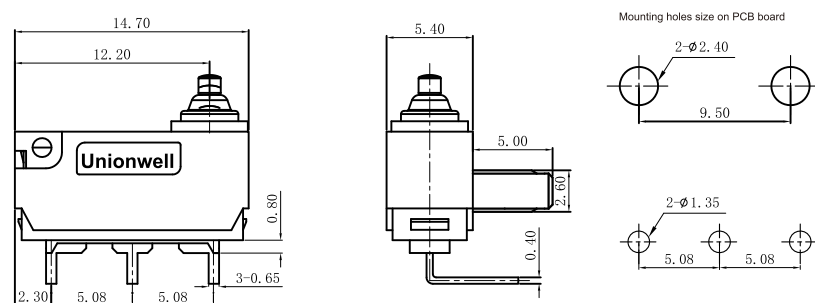
◆ Solder Terminals



◆ Right PCB Terminals

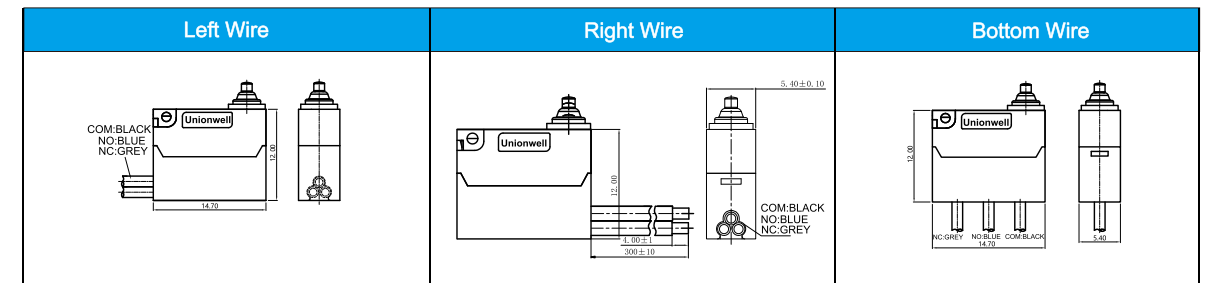


◆ Left PCB Terminals



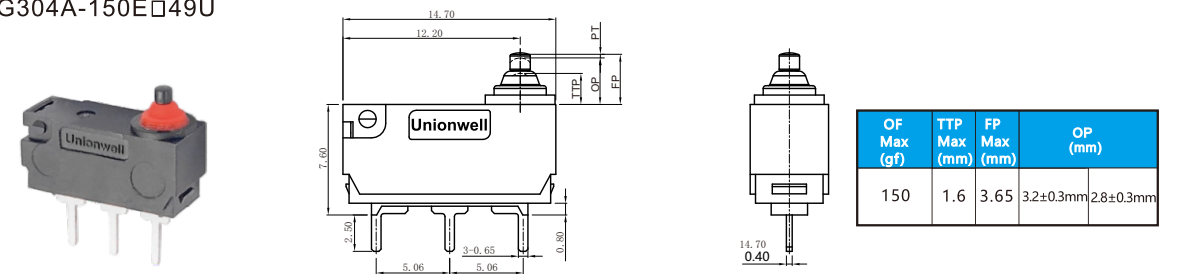
Unionwell

■ Wire Leads

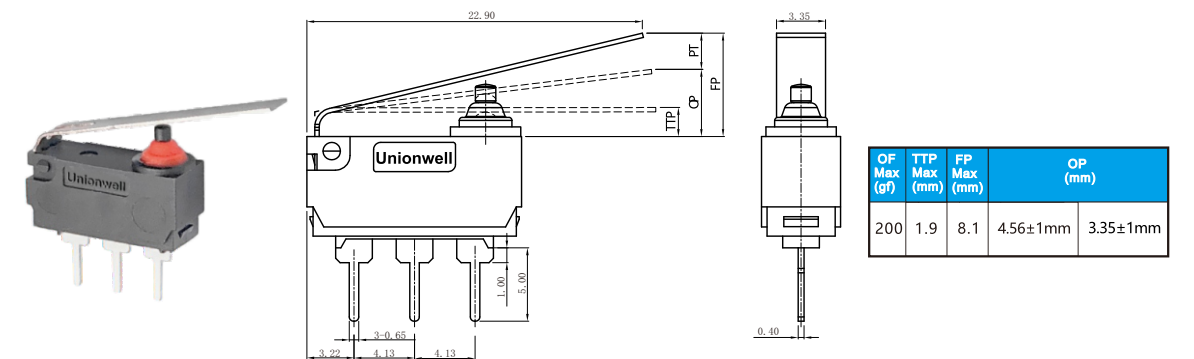


■ Dimensions and Operating Characteristics

◆ G304A-150E□49U

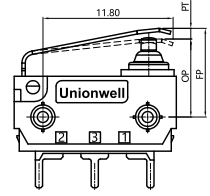
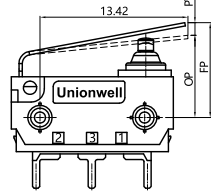
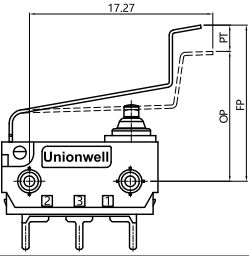
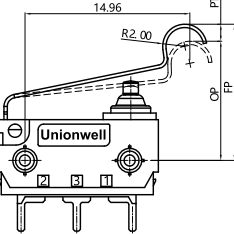
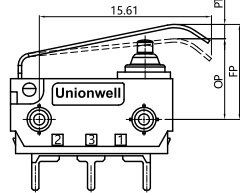
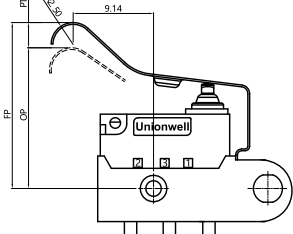
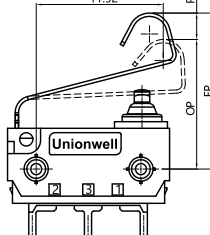
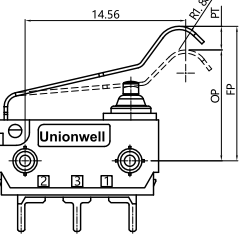
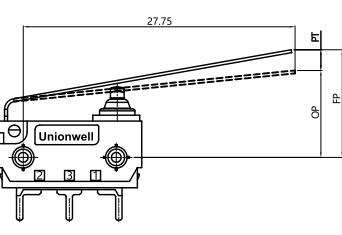
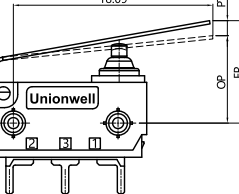
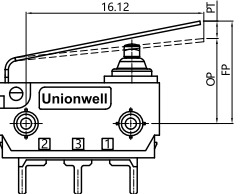
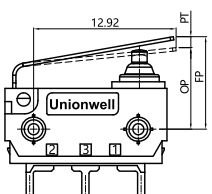
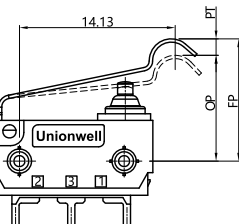


◆ G304A-150E27□49U



Unionwell

■ G304A Lever List as Shown Below(Same as G303 Lever)

| | | |
|---|---|--|
| 01 # Lever | 02 # Lever | 04 # Lever |
|  |  |  |
| 05 # Lever | 09 # Lever | 10 # Lever |
|  |  |  |
| 15 # Lever | 22 # Lever | 25 # Lever |
|  |  |  |
| 28 # Lever | 35 # Lever | 36 # Lever |
|  |  |  |
| 41 # Lever | | |
|  | | |