

## G2 Series

### Rotary Switch



#### ■ Features

- Designed for water and dust tight (IP64)
- Small compact size
- Long life and high reliability
- Widely used in automotive electronics, home appliances and industrial control

#### ■ Application

- ◆ Car
- ◆ Home appliances

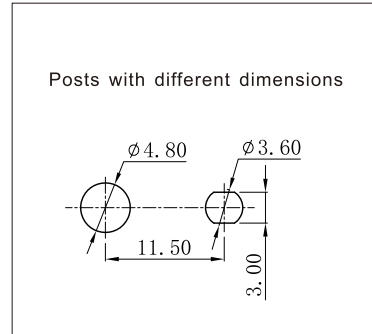
#### ■ Parameters

Rating	0.1A 12VDC	
Operating Frequency	Electrical	10~30 cycles/min
	Mechanical	120 cycles/min
Contact Resistance (Initial Value)	100mΩ Max.	
Insulation Resistance (at 500VDC)	100MΩ Min.	
Vibration Durability	10~55Hz, move 0.75mm (p-p)	
Dielectric Strength	500VAC (50~60Hz)	
Operating Temperature	-30°C~+85°C	
Operating Humidity	85% RH Max.	
Service Life	Electrical	100,000 cycles
	Mechanical	100,000 cycles

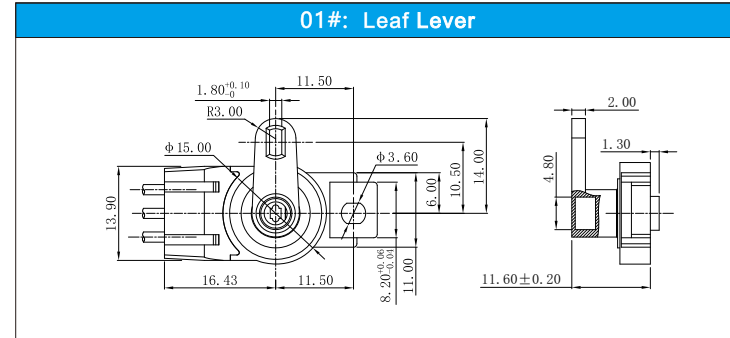
### G2 Series Rotary Switch Ordering Instruction

G2	01	01	E	00	A	1	G	F	400	T001	U
Switch Type	Electrical Rating	Terminal Type	Lever Type	Circuitry	Posts	AWG Type (for wire type only)	AWG Number (for wire type only)	Wire Length	Custom Code	LOGO	
G2 Series Rotary Switch	01 0.1A 12VDC ... Other	E Wire leads to bottom F No-hole solder terminals ... Other	01 01# Lever ... Other	A Circuit 1-COM Circuit 2-COM B Circuit 1-COM C Circuit 2-COM	1 Standard post ... Other	No lead wires E 20# F 22# G 24# H 26# I 28# ... Other	No lead wires A UL1007 C UL1430 D UL1061 F AVSS H UL1332 ... Other	300mm length standard leadwires Wire length 400mm ... Other	General Customized according to requirements. The code format is T+serial number XXX for example:T001 ... Other	U Unionwell ... Other	

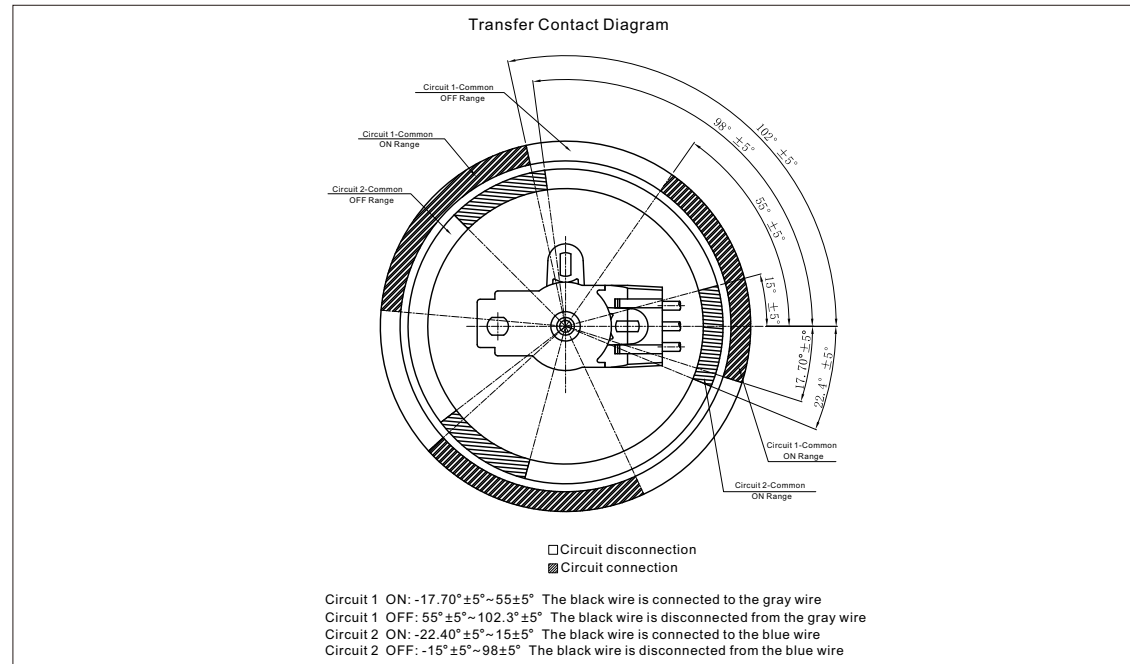
## ■ Mounting Hole Dimensions



## ■ Lever Type



## ■ Circuit Configuration



## ■ Shape

