

G9 Series

Sealed Mini Micro Switch



Features

- Dust and water proof design (IP67)
- Small compact size
- Long life,high reliability
- Variety of terminals and levers
- Widely used in auto control,appliance and other industry control

Application

- ◆ Car
- ◆ Phone
- ◆ Air-Conditioner
- ◆ Computer
- ◆ Humidifier
- ◆ Alarm
- ◆ Timer
- ◆ Mixer & Meat Grinder
- ◆ Welding Machine
- ◆ Neon Phone
- ◆ Fax Machine
- ◆ Game Controller
- ◆ Pump
- ◆ Gas Detector
- ◆ Pencil Sharpener
- ◆ Money Sorter
- ◆ Food Processor
- ◆ Electric Knife
- ◆ Toy Car
- ◆ Juice Extractor
- ◆ Light Equipment
- ◆ Electric Frying Pan

Parameters

| | | |
|------------------------------------|--|--|
| Rating | P1 | 0.1A 125/250VAC 48VDC 5E4 Gold Plated Contact Optional |
| | 05 | UL: 5A 125/250VAC ENEC: 6A 125/250VAC 1E4; 3A 125/250VAC 30VDC 25T120 μ 5E4 |
| Operating Frequency | Electrical | 10~30 cycles/min |
| | Mechanical | 120 cycles/min |
| Contact Resistance (Initial Value) | 100mΩ Max (It depends on the wire length for the type with wire) | |
| Insulation Resistance (at 500VDC) | 100MΩ Min | |
| Dielectric Strength | AC 1,000V RMS (50~60Hz) | |
| Operating Temperature | -25°C~+120°C | |
| Operating Humidity | 85%RH Max. | |
| Service Life | Electrical | 10,000~100,000 cycles (Depend on P/N) |
| | Mechanical | 500,000 cycles |

G9 Series Micro Switch Ordering Instruction

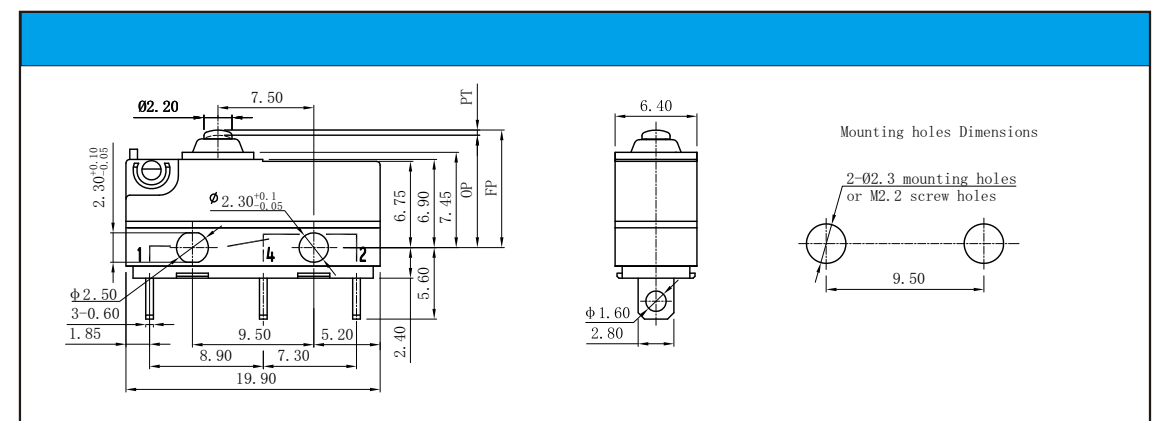
| | | | | | | | | | | | | | | | | | | | |
|-----|------------------------------------|---|--|---|--|--|--|--|--|--|--|---------------------------------------|--|--|--|---------------------------------------|--|-----------|--|
| G9 | Switch Type | G9 Series Micro-Switch | | | | | | | | | | | | | | | | | |
| 05 | Electrical Rating | ENEC/COC: 0.1A 125/250VAC 6A 125/250VAC 1E4 μ 3A 125/250VAC 30VDC 5E4 UL/cUL: 0.1A 125/250VAC 48VDC Gold Plated Contact optional. | | | | | | | | | | | | | | | | | |
| 200 | Max Operating Force at Pin Plunger | 150gf Max. 150 Only for GSP1 | | 200gf Max. | | 300gf Max. | | | | | | | | | | | | | |
| S | Terminal Style | S Solder Terminals | | P Straight PCB Terminals (0.6mm wide) | | D 110# Quick Connect Terminals (2.8X0.5mm) | | E Wires leads to bottom(500mm) | | | | | | | | | | | |
| 00 | Lever Type | 00 Spherical Pin Plunger | | 01 Short Straight Lever 17.7(0.70") | | 02 Std. Straight Lever 19.7(0.78") | | 03 Long Straight Lever 25.8(1.02") | | 05 Small Simulated Roller Lever 18.9mm (0.75") | | 06 Roller Lever 15.7mm (0.62") | | 07 Small Simulated Roller Lever 19.0mm | | 12 Long Straight Lever 56.2mm (2.23") | | ... Other | |
| D | Switch Protection Grade | D Dust proof -IP00 No wire. | | W Water tight-IP67 With lead wires | | | | | | | | | | | | | | | |
| 1 | Circuitry | 1 SPDT | | 2 SPST-NC | | 3 SPST-NO | | | | | | | | | | | | | |
| A | Special Designator | General (Temperature grade 25T120) | | A Gold Plated Contacts (Optional Only for GSP1) | | D Special use for high DC rating | | B Lever Can Be On Two Sides(opposite to plunger) | | C Lever Can Be On Two Sides(plunger side) | | E Lever Can Be On Two Sides(No Lever) | | N With ATEX marking | | ... Other | | | |
| | AWG Type (For with wire type only) | Z0# | | F 22# | | G 24# | | H 26# | | M 28# | | | | | | | | | |

| | | | |
|------|--------------------------------------|-----------------------|---|
| U | LOGO | Unionwell | Other |
| T001 | Custom Code | General | Customized according to requirements, the code format is T+serial number XXX, for example: T001 |
| | wire Length | Standard length:500mm | |
| | AWG Number (For with wire type only) | UL1007 | B UL1569 C UL1430 D UL1061 E UL1330 H UL1332 K UL1015 |

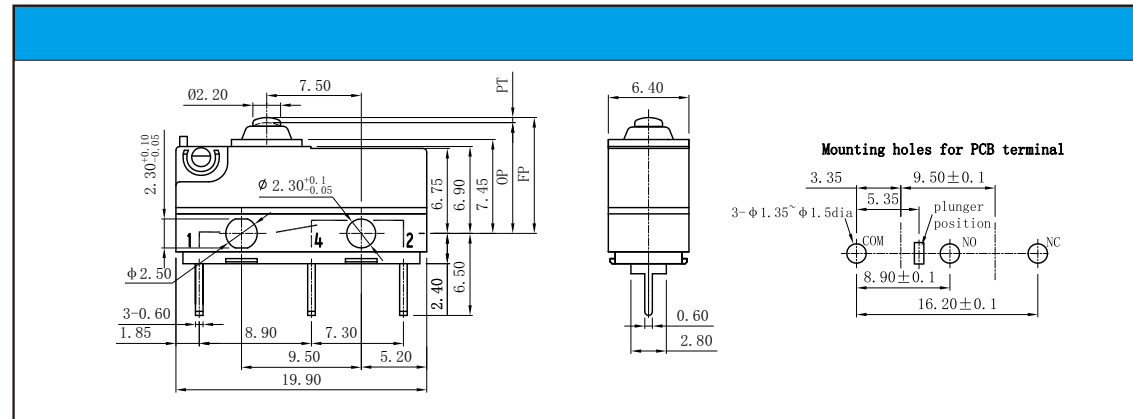
Terminal Type

| | |
|--|--|
| <p>S#: Solder Terminals</p> | <p>E#: Wires Lead to Bottom(500mm length)</p> |
| <p>P#: Straight PCB Terminals</p> | <p>F#: Wires Lead to Side(Opposite to pin plunger side), 500mm length.</p> |
| <p>D#: 110# Quick Connect Terminals: 2.8x0.5mm</p> | <p>G#: Wire Leads to Side (Pin plunger side), length: 500mm</p> |

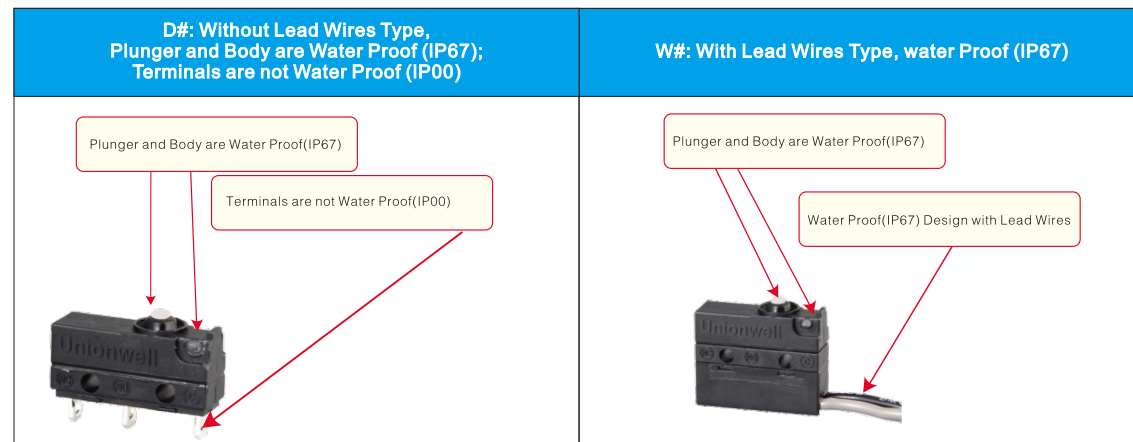
Mounting Hole Dimensions and Operating Characteristics



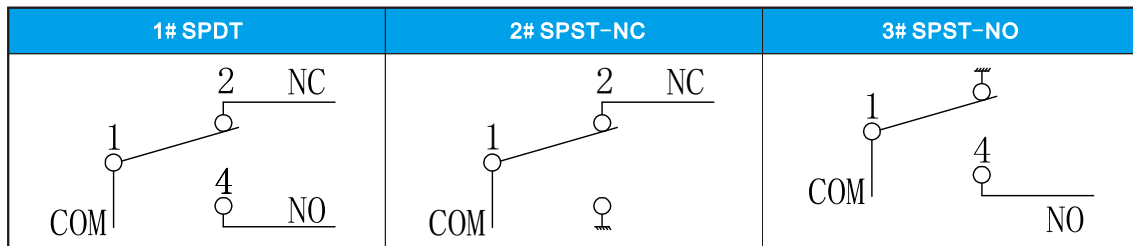
■ Mounting Hole Dimensions and Operating Characteristics



■ IP Grade

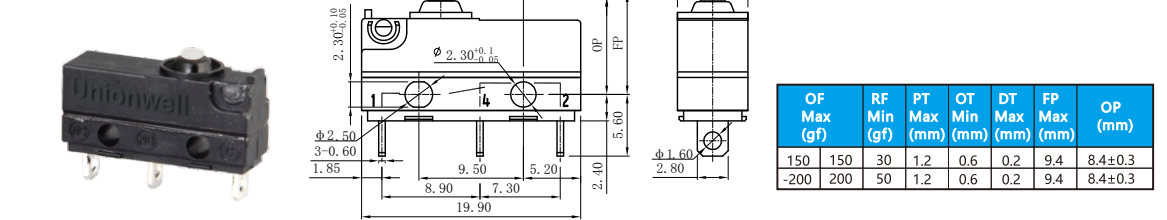


■ Circuit Configuration

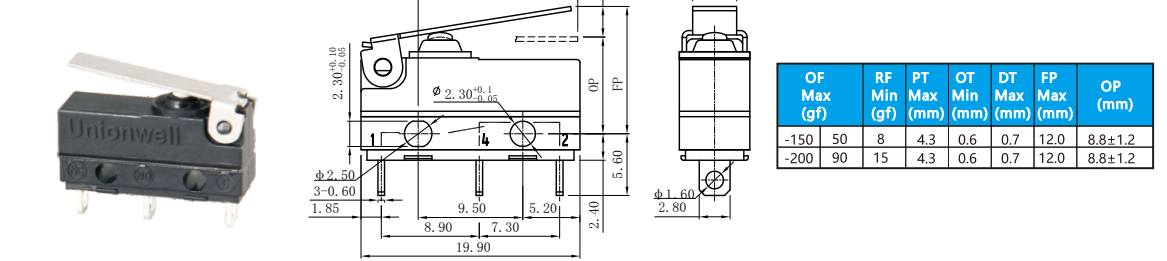


■ Dimensions and Operating Characteristics

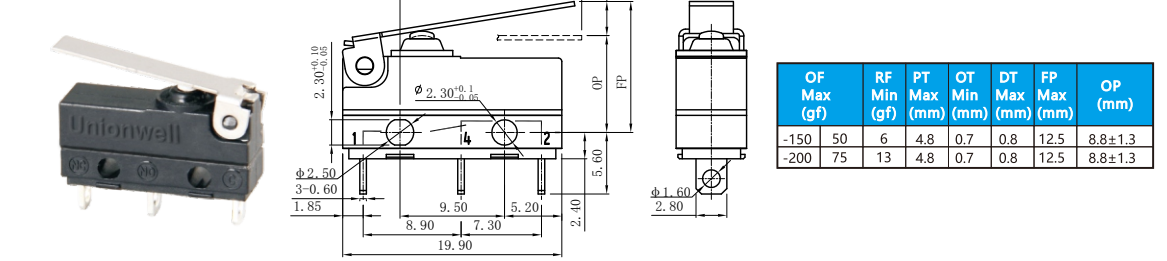
◆ G9□□-□□□S00D1U



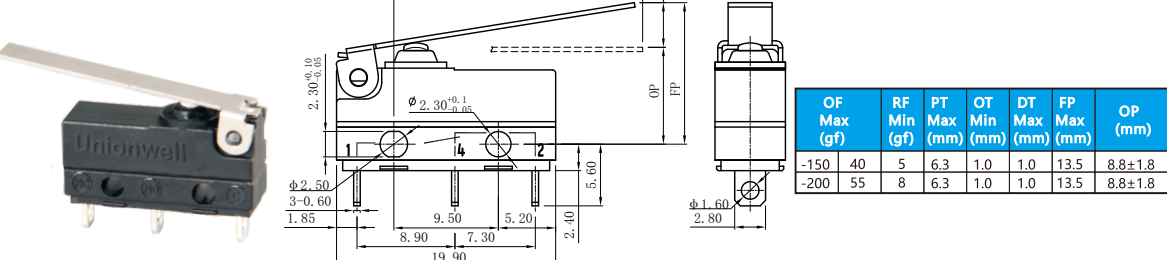
◆ G9□□-□□□S01D1U



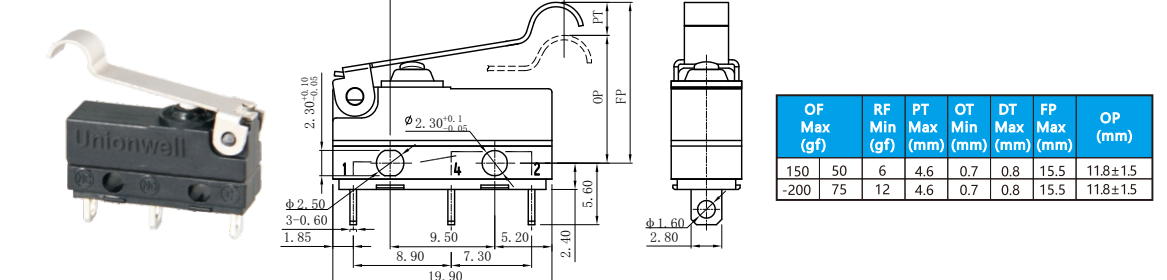
◆ G9□□-□□□S02D1U



◆ G9□□-□□□S03D1U

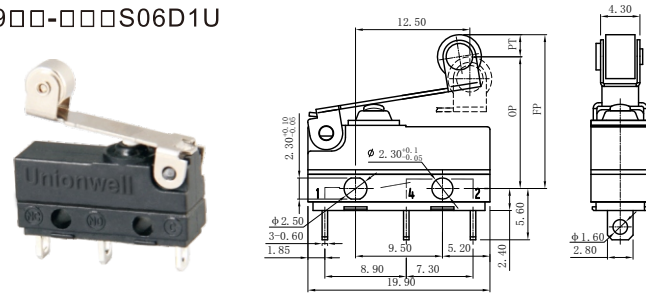


◆ G9□□-□□□S05D1U



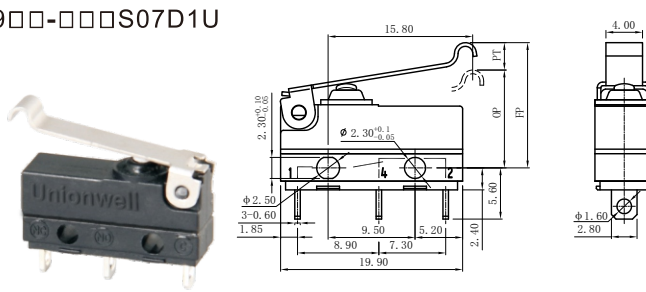
■ Dimensions and Operating Characteristics

◆ G9□□-□□□S06D1U



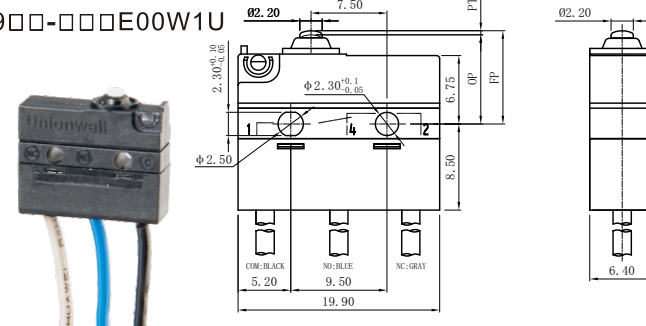
| OF Max (gf) | RF Min (gf) | PT Max (mm) | OT Min (mm) | DT Max (mm) | FP Max (mm) | OP (mm) |
|-------------|-------------|-------------|-------------|-------------|-------------|---------|
| 150 | 65 | 10 | 4.3 | 0.6 | 0.7 | 17.5 |
| -200 | 85 | 15 | 4.3 | 0.6 | 0.7 | 17.5 |

◆ G9□□-□□□S07D1U



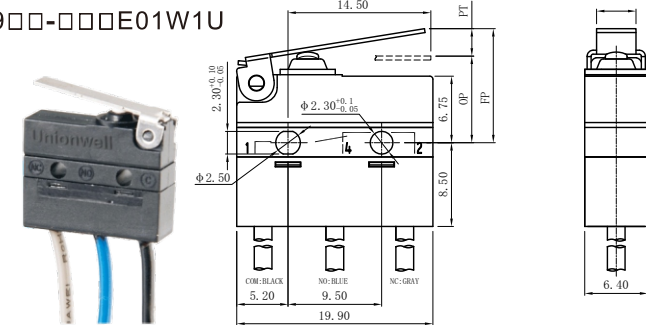
| OF Max (gf) | RF Min (gf) | PT Max (mm) | OT Min (mm) | DT Max (mm) | FP Max (mm) | OP (mm) |
|-------------|-------------|-------------|-------------|-------------|-------------|---------|
| 150 | 50 | 9 | 4.6 | 0.7 | 0.8 | 14.0 |
| -200 | 75 | 12 | 4.6 | 0.7 | 0.8 | 14.0 |

◆ G9□□-□□□E00W1U



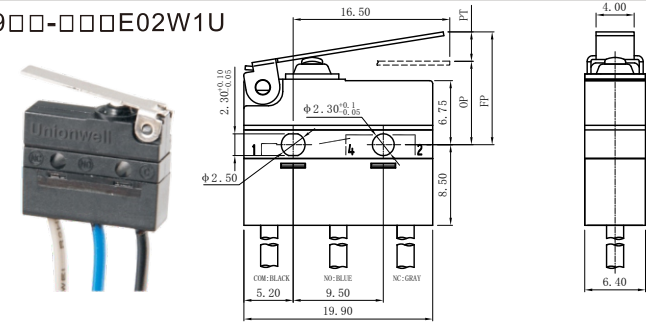
| OF Max (gf) | RF Min (gf) | PT Max (mm) | OT Min (mm) | DT Max (mm) | FP Max (mm) | OP (mm) |
|-------------|-------------|-------------|-------------|-------------|-------------|---------|
| -150 | 150 | 30 | 1.2 | 0.6 | 0.2 | 9.4 |
| -300 | 300 | 70 | 1.2 | 0.6 | 0.2 | 9.4 |

◆ G9□□-□□□E01W1U



| OF Max (gf) | RF Min (gf) | PT Max (mm) | OT Min (mm) | DT Max (mm) | FP Max (mm) | OP (mm) |
|-------------|-------------|-------------|-------------|-------------|-------------|---------|
| -150 | 50 | 8 | 4.3 | 0.6 | 0.7 | 12.0 |
| -300 | 105 | 20 | 4.3 | 0.6 | 0.7 | 12.0 |

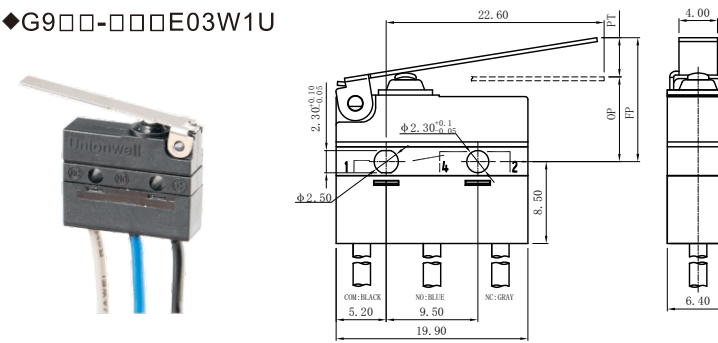
◆ G9□□-□□□E02W1U



| OF Max (gf) | RF Min (gf) | PT Max (mm) | OT Min (mm) | DT Max (mm) | FP Max (mm) | OP (mm) |
|-------------|-------------|-------------|-------------|-------------|-------------|---------|
| -150 | 50 | 6 | 4.8 | 0.7 | 0.8 | 12.5 |
| -300 | 95 | 18 | 4.8 | 0.7 | 0.8 | 12.5 |

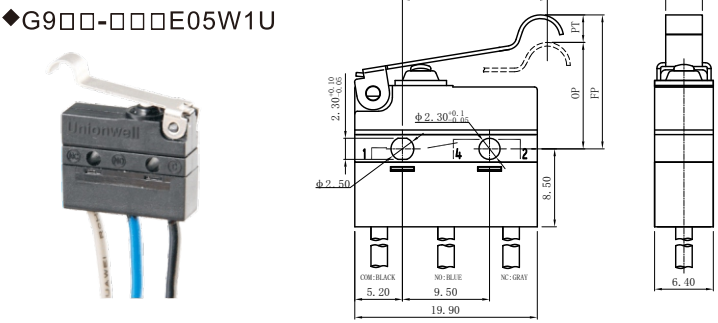
■ Dimensions and Operating Characteristics

◆ G9□□-□□□E03W1U



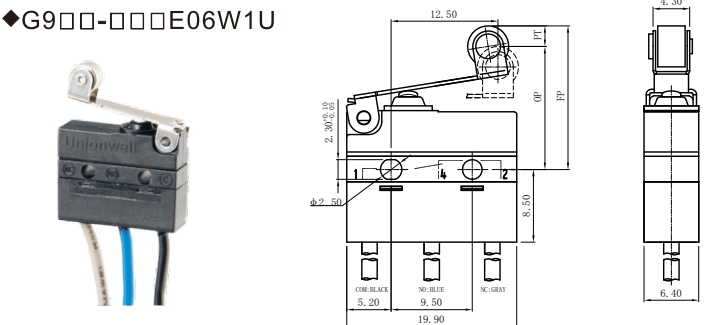
| OF Max (gf) | RF Min (gf) | PT Max (mm) | OT Min (mm) | DT Max (mm) | FP Max (mm) | OP (mm) |
|-------------|-------------|-------------|-------------|-------------|-------------|---------|
| -150 | 40 | 5 | 6.3 | 1.0 | 1.0 | 13.5 |
| -300 | 75 | 13 | 6.3 | 1.0 | 1.0 | 13.5 |

◆ G9□□-□□□E05W1U



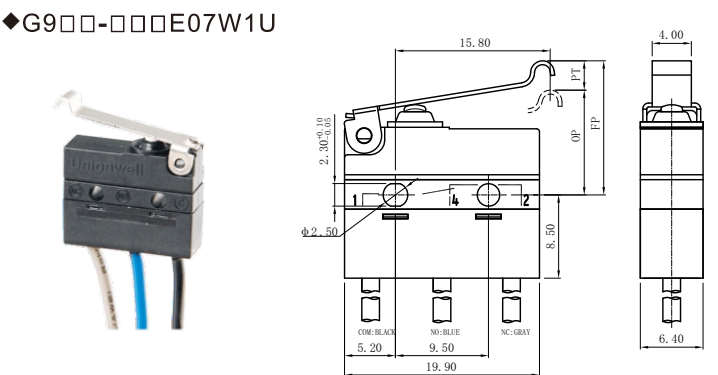
| OF Max (gf) | RF Min (gf) | PT Max (mm) | OT Min (mm) | DT Max (mm) | FP Max (mm) | OP (mm) |
|-------------|-------------|-------------|-------------|-------------|-------------|---------|
| -150 | 40 | 6 | 4.6 | 0.7 | 0.8 | 15.5 |
| -300 | 95 | 18 | 4.6 | 0.7 | 0.8 | 15.5 |

◆ G9□□-□□□E06W1U



| OF Max (gf) | RF Min (gf) | PT Max (mm) | OT Min (mm) | DT Max (mm) | FP Max (mm) | OP (mm) |
|-------------|-------------|-------------|-------------|-------------|-------------|---------|
| -150 | 65 | 10 | 4.3 | 0.6 | 0.7 | 17.5 |
| -300 | 110 | 25 | 4.3 | 0.6 | 0.7 | 17.5 |

◆ G9□□-□□□E07W1U



| OF Max (gf) | RF Min (gf) | PT Max (mm) | OT Min (mm) | DT Max (mm) | FP Max (mm) | OP (mm) |
|-------------|-------------|-------------|-------------|-------------|-------------|---------|
| -150 | 50 | 6 | 4.6 | 0.7 | 0.8 | 14.0 |
| -300 | 95 | 18 | 4.6 | 0.7 | 0.8 | 14.0 |