

G10B Series

Subminiature Sealed Micro Switch



■ Features

- IP67 waterproof and dustproof design
- Small compact size
- Long life and high reliability
- Variety of levers optional
- Widely used in automotive electronics, home appliances and industrial control etc.

■ Application

- ◆ Car
- ◆ Air-conditioner
- ◆ Communication
- ◆ Home Appliance
- ◆ Charging Pile
- ◆ Charging Gun

■ Parameters:

Rating	P1	0.1A 125/250VAC 30VDC
	03	3A 125/250VAC 30VDC
Operating Frequency	Electrical	10~30 cycles/min
	Mechanical	120 cycles/min
Contact Resistance (Initial Value)		100mΩ Max.
Insulation Resistance (at 500 VDC)		100MΩ Min.
Dielectric Strength	Between terminals	600VAC 50~60Hz for 1 Min.
	Between terminals and housing	1,000VAC 50~60Hz for 1 Min.
Operating Temperature		-40°C~+85°C
Operating Humidity		85% RH Max.
Service Life	Electrical	10,000 cycles
	Mechanical	1,000,000 cycles

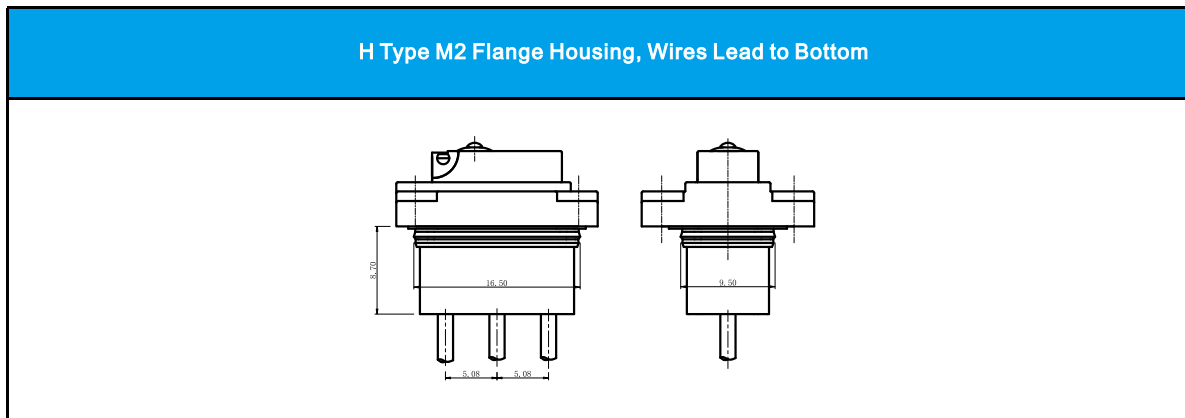
U	LOGO	Unionwell	Other
T001	Custom Code	General	Customized according to requirements, the code format is T+serial number XXX, for example: T001
300	Wires length (AWG Number UL1007 (AWG Type 24#))	Length standard 300 wires 300mm	Other
A	Circuitry	A SPDT	B SPST-NC C SPST-NO
01	Lever Type	00 No Lever Pin Plunger	02 02# Straight 03 03# Straight Other
S	Terminal Type	S Solder terminals P Straight PCB terminals	E Wires come out from the bottom G Molded lead Wires leads to left side (pin plunger side) F Molded lead Wires leads to right side (opposite to pin plunger side) M M3 type waterproof housing bottom outlet wires MF M3 type waterproof housing Wires on right side (opposite to the plunger) H M2 flange waterproof housing with 4 holes bottom outlet wires HG M2 flange waterproof housing with 4 holes wires on left side (plunger side) HF M2 flange waterproof housing with 4 holes wires on right side (plunger side) R Right side PCB terminals L Left side PCB terminals
150	Max Operating Force at Pin Plunger	150 150gf Max.	Other
03	Electrical Rating	ENE/CQC: 0.1A 125/250VAC 30VDC P1 40T85 μ 1E4 UL/cUL: 0.1A 125/250VAC 30VDC	ENE/CQC: 3A 125/250VAC 30VDC 03 40T85 μ 1E4 UL/cUL: 0.1A 125/250VAC 30VDC
G10B	Switch Type	G10B Series Micro-Switch	

Terminal Type

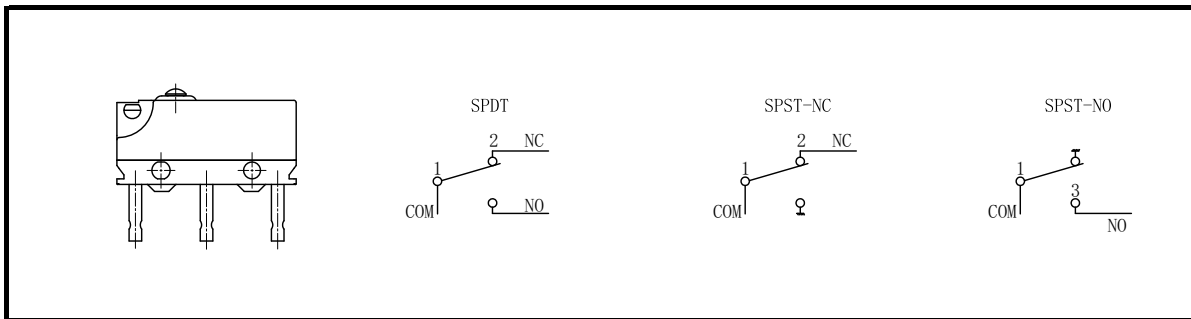
Terminal thickness: 0.4mm

<p>S Type Straight Solder Terminals</p>	<p>P Type Straight PCB Terminals</p>
<p>L Type PCB Left Terminals</p>	<p>R Type PCB Right Terminals</p>
<p>Wires Leads to Right Side (Opposite to Pin plunger) Length: 300mm</p>	<p>Wires Leads to Left Side (Pin Plunger Side) Length: 300mm</p>
<p>Wires Leads to Bottom (300mm Length)</p> <p>COM:BLACK NO:BLUE NC:GRAY</p>	<p>M3 Type Housing, Wires Lead to Bottom</p>

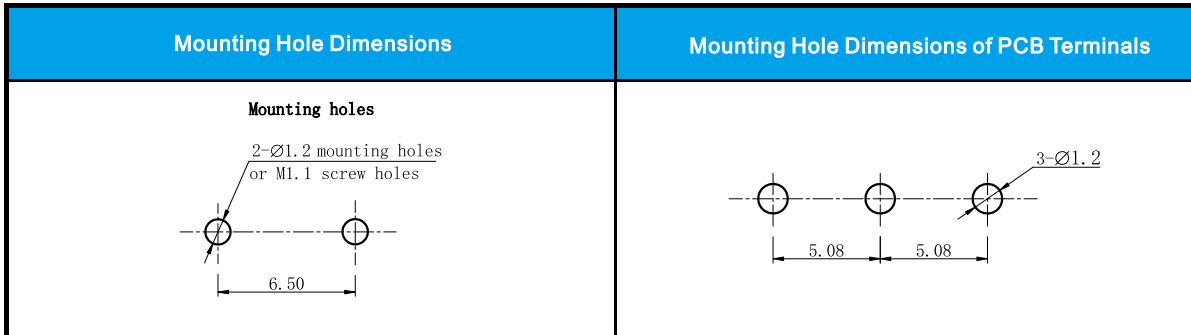
Terminal Type



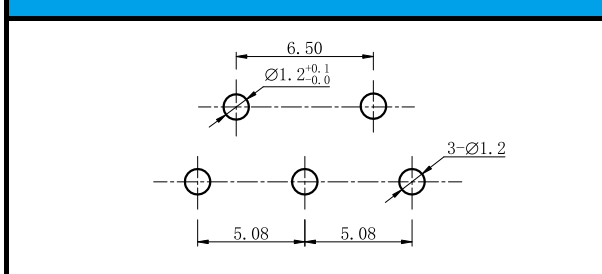
Circuit



Mounting Hole Dimensions

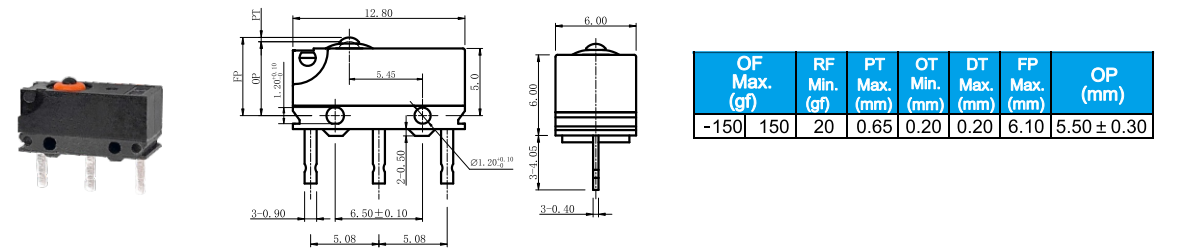


Left and Right PCB Terminal Mounting Hole Dimensions

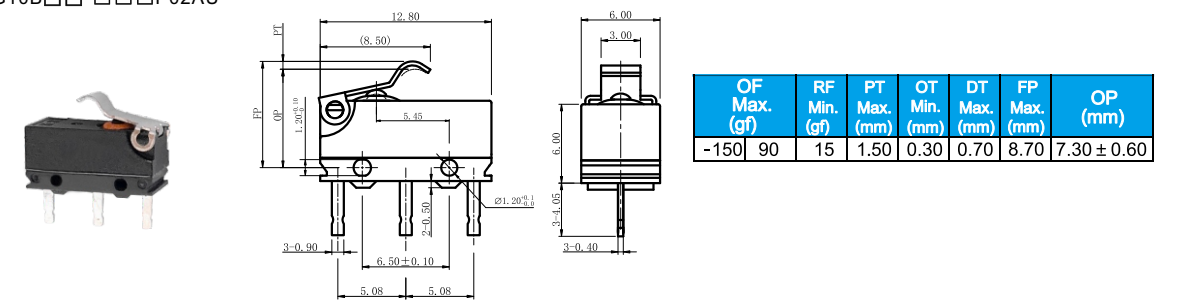


Dimensions and Operating Characteristics

◆G10B□□-□□□P00AU



◆G10B□□-□□□P02AU



◆G10B□□-□□□P03AU

