

## GT04 Series

### Mechanical Keyboard Switch-2.5mm Travel



#### ■ Features

- Ultra-thin profile, 0.31 inch (7.8mm) measuring from PCB (no keycap)
- Choice of feel: Linear, Soft tactile
- PCB pin
- Long life to 20 million operation cycles
- 12VAC/DC maximum
- Current rating: 10mA
- Insulation resistance: < 100MΩ under 100VDC

#### ■ Applications

- Computer keyboards
- Cash registers
- Industrial equipment
- Man-machine interfaces

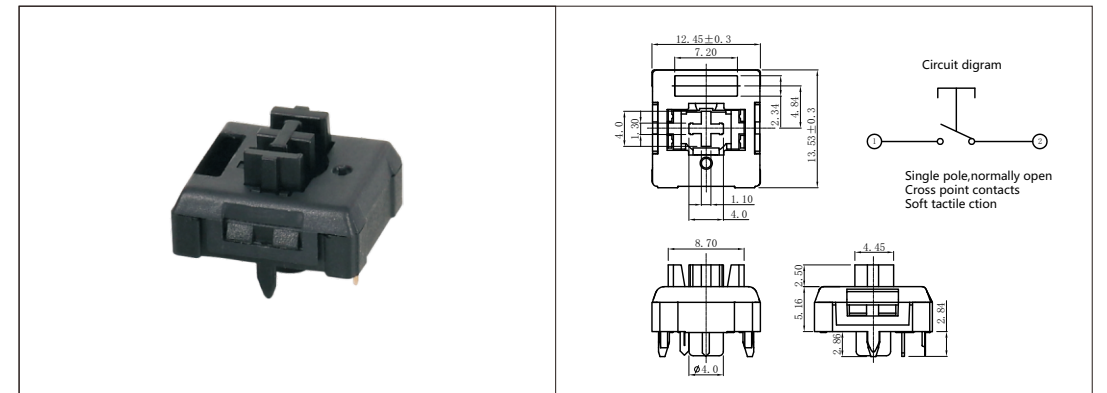
#### ■ Specification and Parameters

Electrical Characteristics	Rating	12VDC/AC max. 10mA AC/DC max.
	Contact Resistance	200mΩ Max (25mΩ Typical) (Initial Value)
	Insulation Resistance	100MΩ Min
	Voltage Resistance	AC 100V (50-60Hz) 1 Min
	Electrical Life	Over 20,000,000 cycles (Load)
	Bounce Time	5 msec (Operation Speed at 400mm/sec)
Parameters	Operating Force	See Detail Spec
	Pre-travel	1.5±0.4mm
	Total Travel	2.5±0.4mm
	Mechanical Life	Over 20,000,000 cycles (No Load)
	Operating Temperature Range	-40°C~+80°C
	Ambient Humidity	≤85% RH

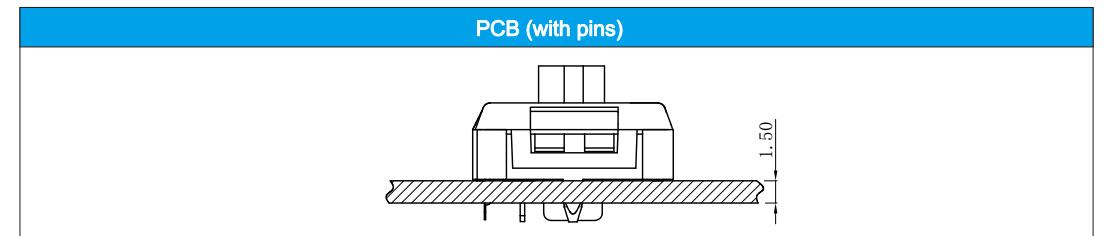
GT04	A	1	B	N	W	T001	U
Switch Type	Contact Material	Code Of Operating Force	Operating Characteristics and Key Style	LED Diode	Mounting Options	Custom Code	LOGO
GT04 Series Keyswitch	A Au Alloy	1 OF=50±20gf	A Momentary, Single Pole, Standard Keyswitch, Black Key	N No LED No Diode	W With Pins	General	Unionwell
	B Ag Alloy	... Special	B Momentary, Single Pole, Tactile Feel Keyswitch Red Key	D No LED With Diode	... Special	Customized to requirements, the code format is T+serial number XX, for example: T001	Other
	... Special	... Special	... Special	F RGB full color LED	... Special	Other	...

## ■ Dimensions

Unit:mm



## ■ Mounting Options



## ■ Circuit Board Layouts

### ◆ PCB (with pins)

