

## G12 Series

### Large Basic Limit Switch



#### Features

- Housing is made of high temperature resistant phenolic plastic
- Sensitive differential travel
- Precise operation repeatability
- Long mechanical life
- ENEC/UL/cUL/CQC approved

#### Application

- Machine tools
- Elevators
- Auto production line
- Civilian, industrial machinery field
- Any automation application in the automation field

#### Parameters

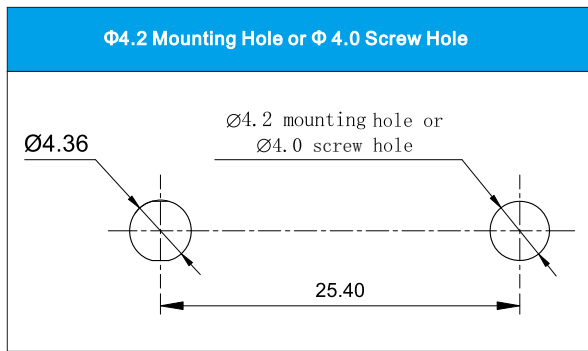
Rating	16A	ENEC/CQC 16A 125/250VAC 10A 30VDC UL/cUL 16A 125/250/480VAC 1/8HP 125VAC 1/4HP 250VAC 0.5A 125VDC 0.25A 250VDC
	22A	ENEC/CQC 22A 125/250VAC UL/cUL 22A 125/250/480VAC 1/4HP 125VAC 1/2HP 250VAC
	26A	ENEC/CQC 26A 125/250VAC UL/cUL 26A 125/250/480VAC 1/2HP 125VAC 1HP 250VAC
Operating Frequency	Electrical	10~30 cycles/min.
	Mechanical	240 cycles/min.
Contact Resistance (Initial Value)		50mΩ Max.
Insulation Resistance		100MΩ Min.
Dielectric Strength	Between Terminals	1500VAC 50/60Hz 1min.
	Between Terminals and Housing	2500VAC 50/60Hz 1min.
Operating Temperature		-40°C~ +80°C
Operating Humidity		85%RH Max.
Service Life	Electrical	50,000 cycles
	Mechanical	200,000 cycles

### G12 Series Micro Switch Ordering Instruction

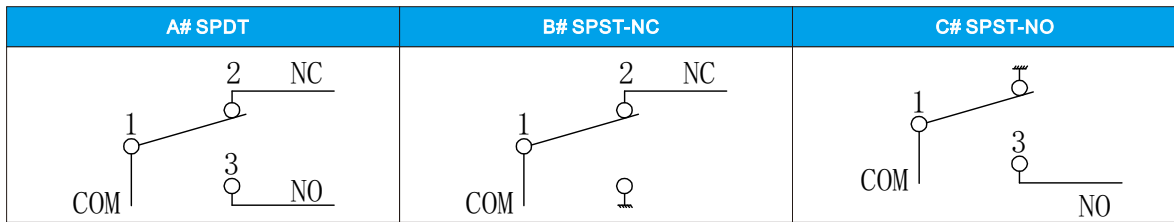
U	LOGO	Unionwell U	Other ...
T001	Custom Code	General T0	Customized according to requirements, the code format is T+serial number XXX, for example: T001 01 ...
A	Terminal Type	A Screw Terminals A	
A	Circuitry	A SPDT B SPST-NC C SPST-NO	
R1	Lever Type	R1 Pin Plunger RD1 Spring Pin Plunger RQ1 Panel Mounting Plunger RQ2 Panel Mounting Roller Plunger RQ3 Panel Mounting Cross Roller Plunger RW1 Swing RW2 Short Swing Lever RW3 Roller Swing Lever RW4 Roller Short Swing Lever	
1	Protection Type	1 General Type	
16	Electrical Rating	16 ENEC/CQC: 16A 125/250VAC 10A 30VDC 40T80 μ 5E4 UL/cUL 16A 125/250/480VAC 1/8HP 125VAC 1/4HP 250VAC 0.5A 125VDC 0.25A 250VDC	22 ENEC/CQC: 22A 125/250VAC 40T80 μ 5E4 UL/cUL 22A 125/250/480VAC 1/4HP 125VAC 1/2HP 250VAC
26	Electrical Rating	26 ENEC/CQC: 26A 125/250VAC 40T80 μ 5E4 UL/cUL 26A 125/250/480VAC 1/2HP 125VAC 1HP 250VAC	
G12	Switch Type	G12 Series Micro Switch	

## ■ Mounting Hole Dimensions

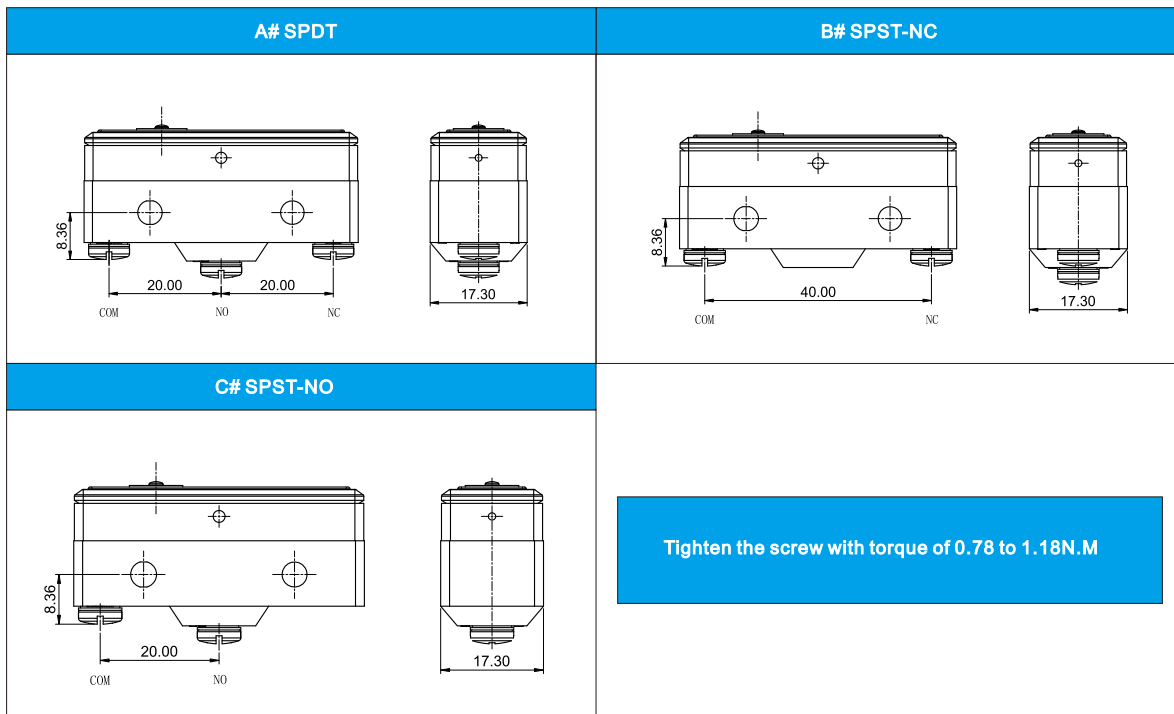
Unit:mm



## ■ Circuit Configuration

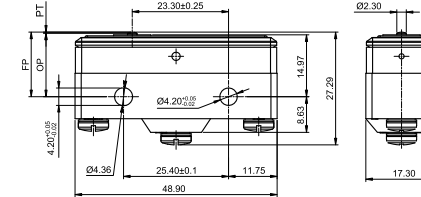


## ■ Terminal Type and Dimensions



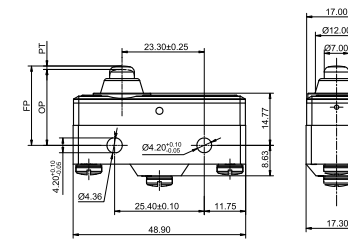
## ■ Dimensions and Operating Characteristics

### ◆G12□□-1R1□□-□□



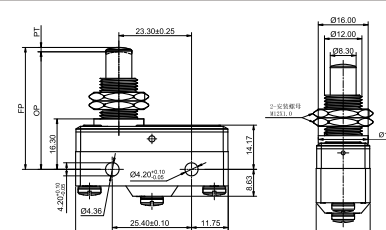
	OF Max. (gf)	RF Min. (gf)	PT Max. (mm)	OT Min. (mm)	DT Max. (mm)	FP Max. (mm)	OP (mm)
G1216	450	115	0.8	0.10	0.20	17.00	15.9±0.60
G1222	700	115	0.8	0.10	0.20	17.00	15.9±0.60
G1226	700	115	0.8	0.10	0.20	17.00	15.9±0.60

### ◆G12□□-1RD1□□-□□



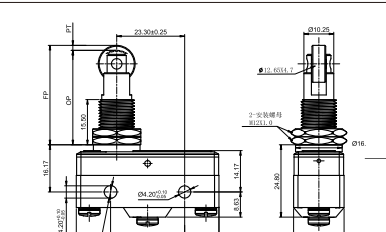
	OF Max. (gf)	RF Min. (gf)	PT Max. (mm)	OT Min. (mm)	DT Max. (mm)	FP Max. (mm)	OP (mm)
G1216	450	115	0.80	1.50	0.20	22.50	21.5±0.80
G1222	700	115	0.80	1.50	0.20	22.50	21.5±0.80
G1226	700	115	0.80	1.50	0.20	22.50	21.5±0.80

### ◆G12□□-1RQ1□□-□□



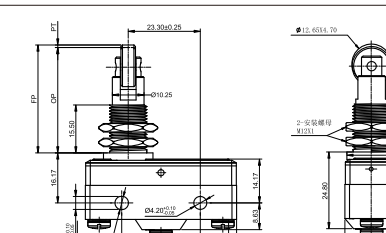
	OF Max. (gf)	RF Min. (gf)	PT Max. (mm)	OT Min. (mm)	DT Max. (mm)	FP Max. (mm)	OP (mm)
G1216	450	115	0.80	5.50	0.20	23.00	21.8±1.00
G1222	700	115	0.80	5.50	0.20	23.00	21.8±1.00
G1226	700	115	0.80	5.50	0.20	23.00	21.8±1.00

### ◆G12□□-1RQ2□□-□□



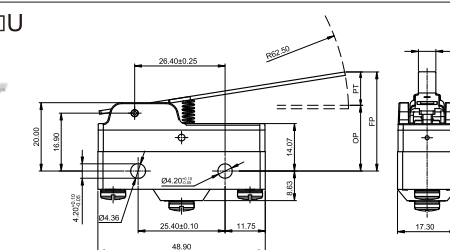
	OF Max. (gf)	RF Min. (gf)	PT Max. (mm)	OT Min. (mm)	DT Max. (mm)	FP Max. (mm)	OP (mm)
G1216	450	115	0.80	3.50	0.20	35.00	33.40±1.50
G1222	700	115	0.80	3.50	0.20	35.00	33.40±1.50
G1226	700	115	0.80	3.50	0.20	35.00	33.40±1.50

### ◆G12□□-1RQ3□□-□□



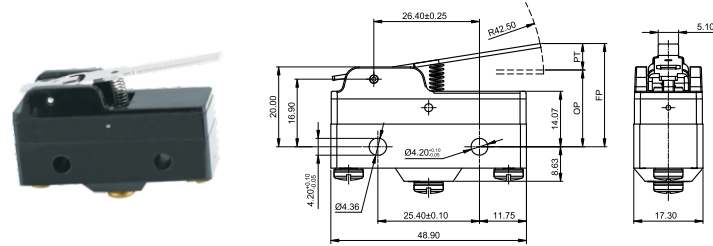
	OF Max. (gf)	RF Min. (gf)	PT Max. (mm)	OT Min. (mm)	DT Max. (mm)	FP Max. (mm)	OP (mm)
G1216	450	115	0.80	3.50	0.20	35.00	33.40±1.50
G1222	700	115	0.80	3.50	0.20	35.00	33.40±1.50
G1226	700	115	0.80	3.50	0.20	35.00	33.40±1.50

### ◆G12□□-1RW1□□-□□



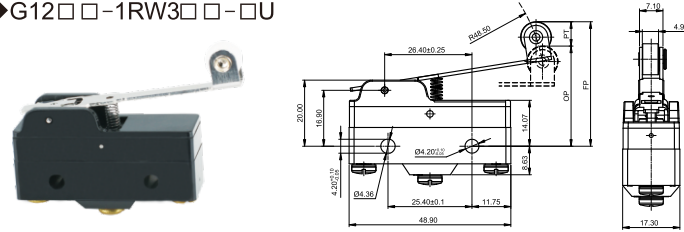
	OF Max. (gf)	RF Min. (gf)	PT Max. (mm)	OT Min. (mm)	DT Max. (mm)	FP Max. (mm)	OP (mm)
G1216	85	14	12.00	5.60	2.00	29.50	19.00±3.00
G1222	135	14	12.00	5.60	2.00	29.50	19.00±3.00
G1226	135	14	12.00	5.60	2.00	29.50	19.00±3.00

## ◆G12□□-1RW3□□-□U



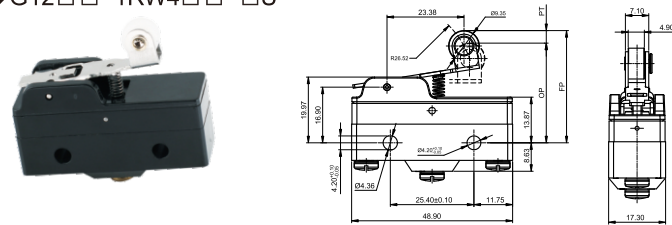
	OF Max. (gf)	RF Min. (gf)	PT Max. (mm)	OT Min. (mm)	DT Max. (mm)	FP Max. (mm)	OP (mm)
G1216	130	20	7.50	3.50	1.00	25.50	19.00±2.50
G1222	205	20	7.50	3.50	1.00	25.50	19.00±2.50
G1226	205	20	7.50	3.50	1.00	25.50	19.00±2.50

## ◆G12□□-1RW3□□-□U



	OF Max. (gf)	RF Min. (gf)	PT Max. (mm)	OT Min. (mm)	DT Max. (mm)	FP Max. (mm)	OP (mm)
G1216	120	20	8.50	4.00	1.20	37.50	30.20±3.00
G1222	190	20	8.50	4.00	1.20	37.50	30.20±3.00
G1226	190	20	8.50	4.00	1.20	37.50	30.20±3.00

## ◆G12□□-1RW4□□-□U



	OF Max. (gf)	RF Min. (gf)	PT Max. (mm)	OT Min. (mm)	DT Max. (mm)	FP Max. (mm)	OP (mm)
G1216	195	40	4.00	2.40	1.00	33.50	30.20±1.50
G1222	305	40	4.00	2.40	1.00	33.50	30.20±1.50
G1226	305	40	4.00	2.40	1.00	33.50	30.20±1.50