

G16 Series

Swing Rotary Switch



■ Features

- Water and dust proof design (IP67)
- Long life, high reliability
- Bidirectional conduction design
- Mini size, could be used in tight space

■ Application

◆ Car

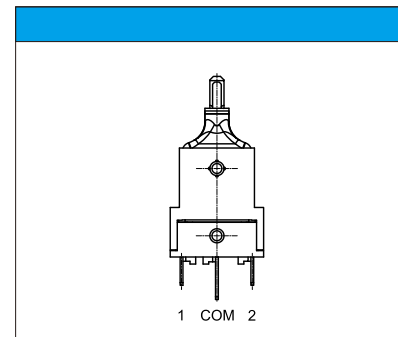
◆ Industrial Control

■ Parameters

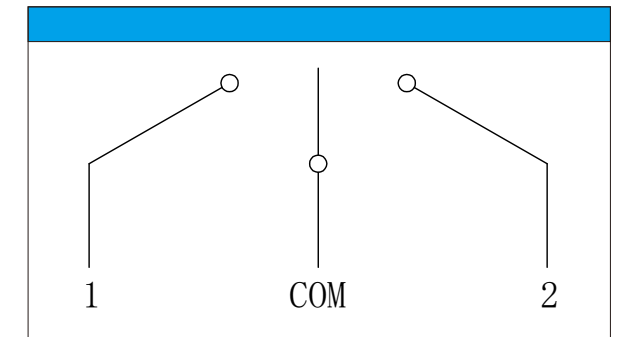
Rating		0.1A 12VDC
Operating Frequency	Electrical	20 cycles/min.
	Mechanical	30 cycles/min.
Contact Resistance (Initial Value)		200mΩ Max.
Insulation Resistance		100MΩ Min.
Vibration Durability		10~55Hz, Amplitude 1.5mm
Shock Resistance		Acceleration 98m/s ² , Time 11ms
Voltage Resistance	Between terminals	500VAC 50~60Hz for 1 Min.
	Between terminals and housing	1,000VAC 50~60Hz for 1 Min.
Service Life	Electrical	100,000 cycles
	Mechanical	100,000 cycles
Operating Force		200gf Max.
Operating Temperature		-40°C~ +85°C
Operating Humidity		85% RH Max.

G16	01	200	A	00	A	00	00	A	00	A	T001	U
Switch Type	Electrical Rating	Max Operating Force at Swing Arm	Terminal Type	Lever Type	Circuitry	Posts Type	Posts Center Distance	Custom Code	Logo	Unionwell	Other	
G16 Series Swing Rotary Switch	01 0.1A 12VDC	200 200 gf Max	A Vertical Type No-hole solder Terminals (3.0mm wide)	00 Swing Arm	A SPDT-NO	00 Posts: $\phi 2.0 \times 2.0\text{mm}$	A 9.5mm	General	U	Unionwell	...	
						01 Posts: $\phi 2.4 \times 2.7\text{mm}$	B 12.0mm	Customized according to requirements. the code format is T+ serial number XXX for example: T001				
							C 12.5mm	...				

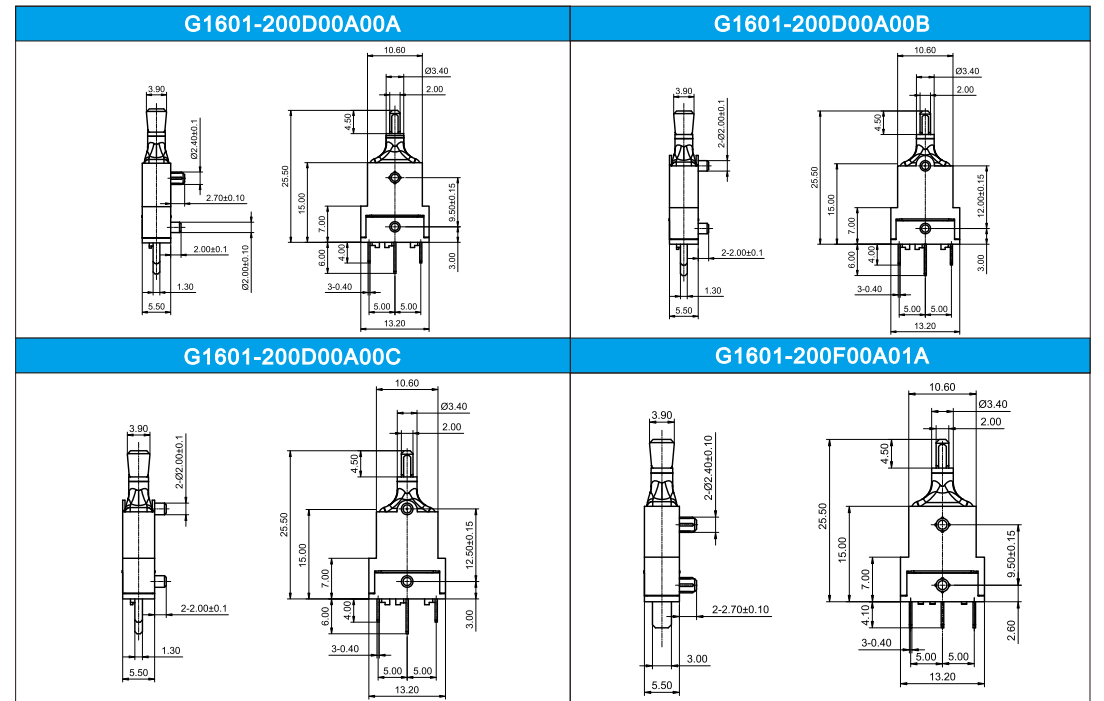
Shape



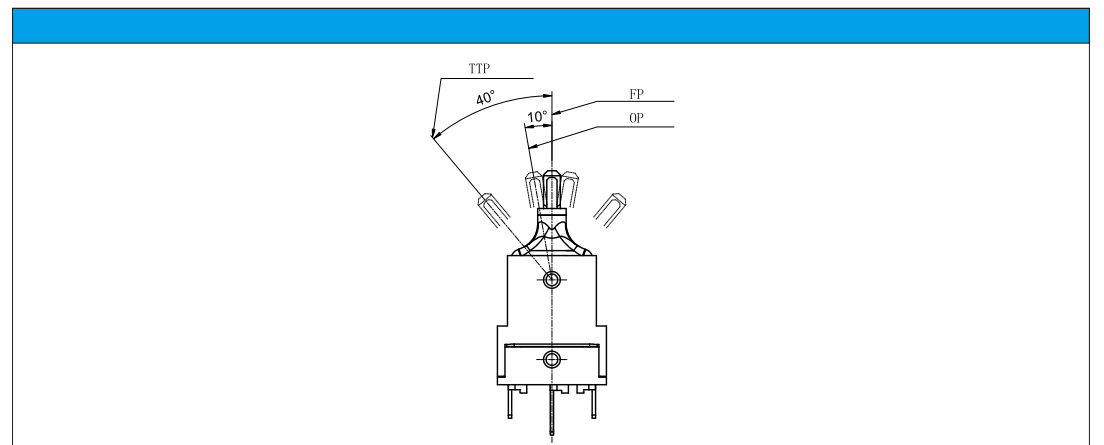
Circuit Configuration



Dimension



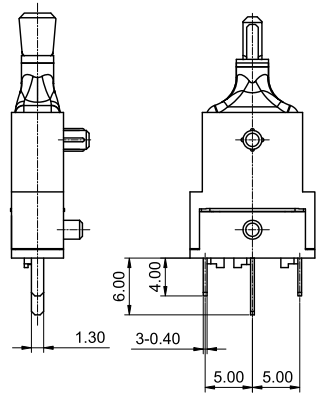
Parameters



Unionwell

■ Terminal Type

D13# Vertical Type Straight PCB Terminals



F Vertical Type No-hole solder Terminals

