

G21 Series

DPDT Micro Switch



■ Features

- Long life, high reliability
- DPDT double-break type
- Widely used in industrial control, etc.

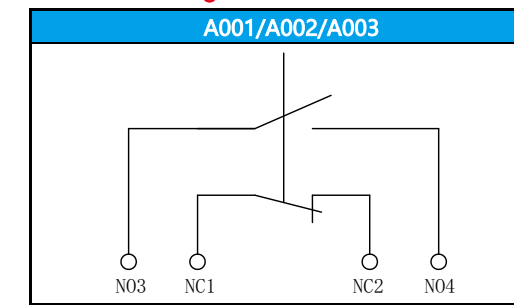
■ Application

Telecommunication tools, field work vehicles, etc.

■ Parameters

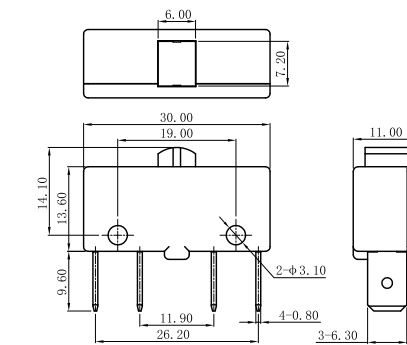
Rating		6A 12VDC; 2A 24VDC 0.6A 55VDC
Operating Frequency	Electrical	60 cycles/min
	Mechanical	180 cycles/min
Contact Resistance (Initial Value)		100mΩ Max.
Insulation Resistance		100MΩ Min.
Service Life	Electrical	1,000,000 cycles
	Mechanical	3,000,000 cycles
Storage Temperature		-30°C~+85°C
Operating Temperature		-30°C~+65°C
Operating Humidity		95% RH Max.

■ Circuit Configuration



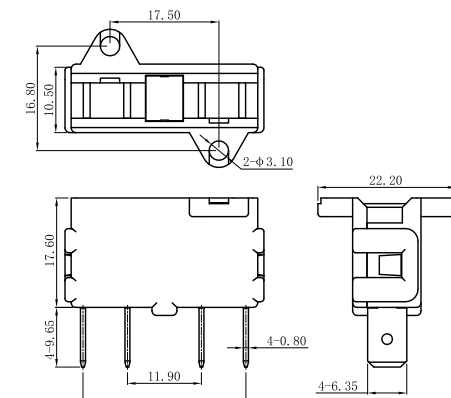
■ Dimensions and Operating Characteristics

◆ G21-A001



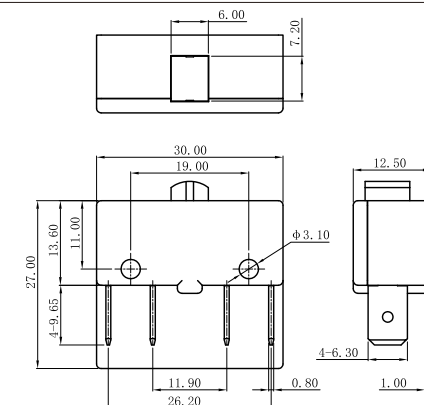
Part Number	PT (mm)Max	OT (mm)Min	DT (mm)Max	OF (gf)Max
G21-A001	1.50	0.70	1.00	250

◆ G21-A002



Part Number	PT (mm)Max	OT (mm)Min	DT (mm)Max	OF (gf)Max
G21-A002	1.50	0.70	1.00	250

◆ G21-A003



Part Number	PT (mm)Max	OT (mm)Min	DT (mm)Max	OF (gf)Max
G21-A003	1.50	0.70	1.00	250