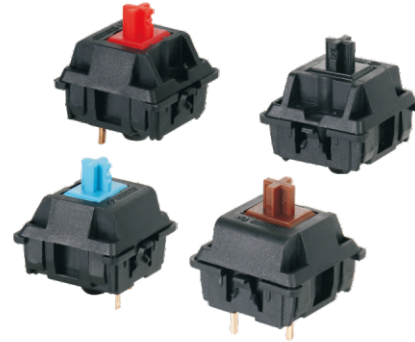


GT02 Series

Mechanical Keyboard Switch-4mm Travel



■ Features

- Desktop profile, 0.60 inch (15.2mm) from PCB (without keycap)
- Switch option: linear, tactile, clicky
- PCB or frame mount
- Long life to 80 million operation cycles
- LED, diode or jumper option
- 12V AC/DC maximum
- Current rating: 10mA
- Insulation resistance: <100MΩ under 100VDC

■ Applications

- Computer keyboards
- Cash registers
- Industrial equipment
- Man-machine interfaces

■ Specification and Parameters

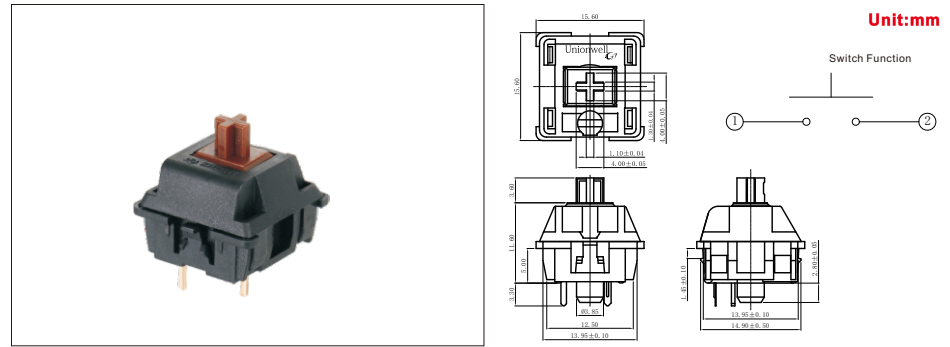
Electrical Characteristics	Rating	12VDC/AC max. 10mA AC/DC max.
	Contact Resistance	200mΩ Max (25mΩ Typical) (Initial Value)
	Insulation Resistance	100MΩ Min
	Voltage Resistance	AC 500V (50-60Hz) 1 Min
	Electrical Life	Over 80,000,000 cycles (Load)
	Bounce Time	5 msec (Operation Speed at 400mm/sec)
Parameters	Operating Force	See Detail Spec
	Pre-travel	2.0±0.6mm
	Total Travel	4.0±0.4mm
	Mechanical Life	Over 100 Million cycles (Under No Load)
	Operating Temperature	-40°C~+80°C
	Operating Humidity	≤85% RH

GT02 Series Keyboard Ordering Instruction

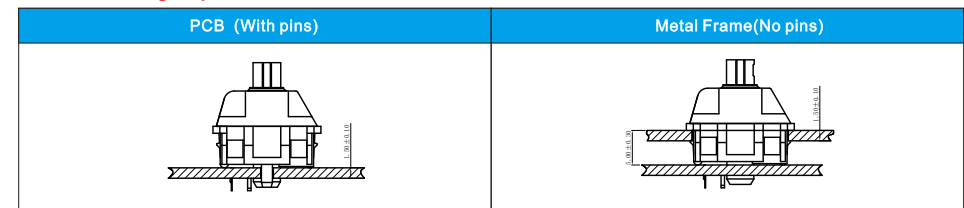
GT02	Switch Type	GT02 Series Keyboard	
A	Contact Material	A Au Alloy	B Ag Alloy
1	Code of Operating Force	1 OF=60±20gf (60# or 601# Spring)	2 OF=80±25gf (80# Spring)
A	Operating Characteristics and Key Style	A	Momentary, Single Pole, Standard Keystitch, Linear, Black Key
		B	Momentary, Single Pole, Standard Keystitch, Soft Tactile, Brown Key
		D	Momentary, Single Pole, Click Tactile Feel, Blue Key
E	Operating Characteristics and Key Style	E	Momentary, Single Pole, Standard Keystitch, Linear, Red Key
	
N	LED Diode	N Single Color	F Full Color RGB
W	PCB Mounting Pins	W	With Pins
		N	No Pins (With Metal Frame)
1	Case Cover Color	1 Black Case and Clear Cover	2 White Case and Clear Cover
T001	Custom Code	General	Customized according to requirements, the code format is T+serial number XXX, for example: T001
U	LOGO	U Unionwell	Other ...

Unionwell

■ Dimensions



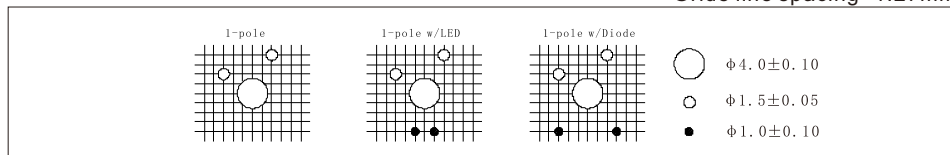
■ Mounting Options



■ Circuitry Board Layouts

◆ Keyswitch without fixation pins

Gride line spacing=1.27mm



◆ Keyswitch with fixation pins

