

## GT08 Series

### Ultrathin Mechanical Keyboard Switch-1.6mm Travel



#### ■ Features

- With tactile sound or smooth mute for selection
- Feel smooth and natural
- Service life can reach more than 10 million times
- Can be equipped with RGB-LED lights to add colorful backlight
- Patent products,the world's first

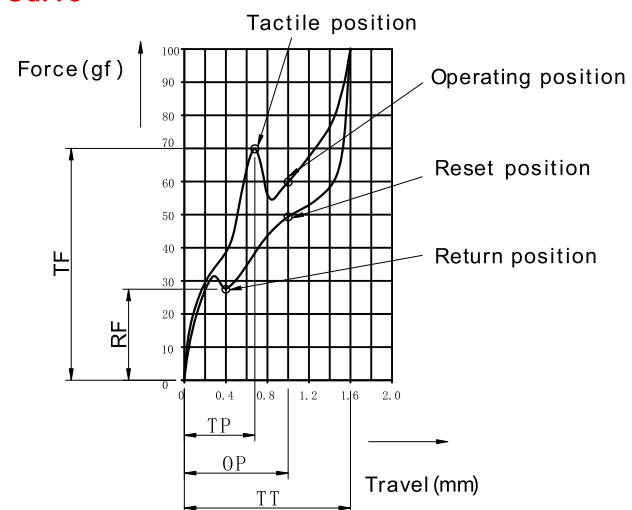
#### ■ Applications

- ◆ Notebook computer keyboards

#### ■ Specification and Parameters

Electrical Characteristics	Rating	12V DC/AC Max. 10mAAC/DC Max
	Initial Contact Resistance	200mΩ Max
	Insulation Resistance	100MΩ Min
	Voltage Resistance	AC 100V (50-60Hz) 1 Min
	Electrical Life	Over 20,000,000 cycles (Load)
	Bounce Time	operation speed at<400mm/sec
Parameters	Tactile Force (TF)	70±15gf
	Tactile Position (TP)	0.65±0.2mm
	Operating Position (OP)	(TP±0.05) ≤OP≤1.2mm
	Total Travel (TT)	1.6±0.3mm
	Return Force (RF)	RF=20gf Min
	Mechanical Life	Over 10,000,000 cycles (NO Load)
	Operating Temperature	-40°C~+80°C
	Operating Humidity	≤85% RH
	Hand Soldering Condition	3Sec Max. 360°C±10°C

#### ■ Travel-Force Curve



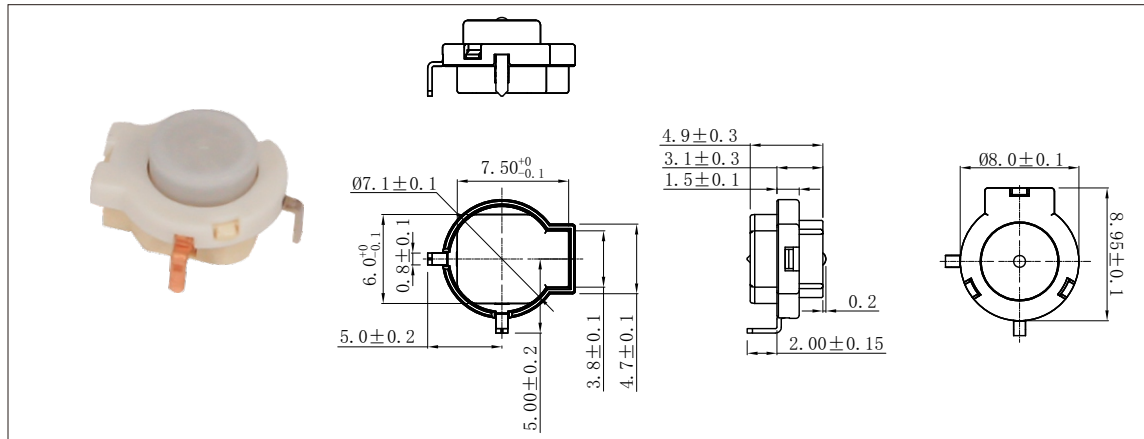
## GT08 Series Keyswitch Ordering Instruction

GT08	U	LOGO	Unionwell	Other
1	T001	Custom Code	General	Customized according to requirements. the code format is T+ serial number XXX for example: T001
A	A1	Special Requirements Travel	The switch on stroke is less than 0.95mm	Other to be defined
A	P	Mounting Options	With pins	Suitable
A	N	LED Diode	No LED, No Diode	
C	C	Operating Characteristics and Key Style	Single pole, standard type, black key	Single pole, tactile feel, sound, white translucent key
1	1	Code of Operating Force	OF=70±15gf	Other to be defined
A	A	Keyswitch Height	4.9mm	Other

# Unionwell

## ■ Dimensions

Unit:mm



## ■ Circuit Board Layouts

